



SPAURA45

Design by Manuel Vivian

Collection consisting of wall lamps, ceiling lamps and suspended lamps with double-layered coloured Murano glass hand twisted pendants. Available in several colours and sizes. Screw fitting light source.

Ratings

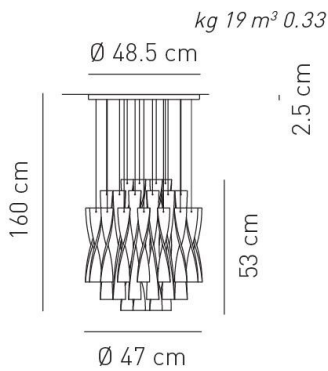
- E27
- Surface installation over holes
- Supply voltage ~220-240V
- Switch mode: on-off
- Steel canopy

Typology: SUSPENDED LAMP

Product code composition

AURA

Type	Article	Colours	Finish	Source
SP	AURA 45	CS "rigadin" crystal	CR chrome	E27 4 x Max 20W LED or 4 x Max 30W fluo or 4 x Max 100W halo
		BC white		
		RS red		
SP	AURA 45	CS "rigadin" crystal	OR gold leaf	E27 4 x Max 20W LED or 4 x Max 30W fluo or 4 x Max 100W halo
		BC white		
		RS red		
		TA tea		



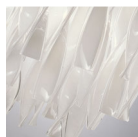
CE IP20 +LED

example composition code | SP | AURA45 | RS | OR | E27

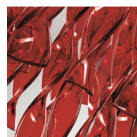
Available colors



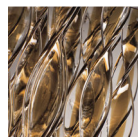
CS
"Rigadin"
crystal



BC
White



RS
Red



TA
Tea



OR
Gold leaf



CR
Chrome

EELc (Energy Efficiency Label compatibility) contain built in LED lamps that cannot be changed: A, A+, A++

CUSTOMER _____ NOTES _____

SPAURA45_ _E27

NOTICE:

Luminous flux (lm) and efficacy (lm/W) for all LED luminaires is estimated based on nominal ratings of the LED sources. Technical data could be subject to alteration without notice. Axo Light does not provide legal guarantee for the accuracy of this data sheet.