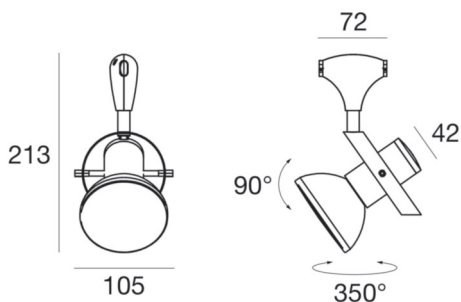




Systems | 220-240 V | 1xE27  
**TR4303-48**



Technical data	
Type	Systems
Installation position	Ceiling
Installation environment	Indoor
Lamp cap	1 x E27 Max 100W
Optics	General Lighting
Safety class	2
IP	IP20
Glow wire test	850°
Direct mounting on normally flammable surfaces	Yes
CE	Yes
ETL	No
Fire Rated (BS 476 PT21 compliant)	No
Induction	No
Emergency mode	No
Directional	Swivelling
Tilting	No
Walk-over	No
Drive-over	No
Cable included	No
Resin potting	No
Type of light emission	Single emission
Net weight	0.46 Kg

Finishing casing	
Material	Iron - PC
Colour	nickel - champagne
Processing	Electroplating



Systems | 220-240 V | 1xE27  
**TR4303-48**

Single emission systems for indoor application. Compatibility:, halogen  
100 W; lamp cap 1xE27.

The device body is made of iron and features a nickel finish, processed  
by means of electroplating The device body is made of PC and features  
a champagne finish. The ingress protection degree is IP20; the total  
weight is of 0.46 kg.

The device features protection class II and can be ceiling-mounted.