

SMILE ON

06-07-2015

1.0

LED 6W | 220-240VAC | 50-60Hz | COB 2-step | incl. power supply

CE IP65 960°C 0.3m

3000K | >80CRI | 370lm

white texture	702253W4
aluminium brushed (only for interior use)	702253L4
dark grey texture (only for exterior use)	702253D4

2.0

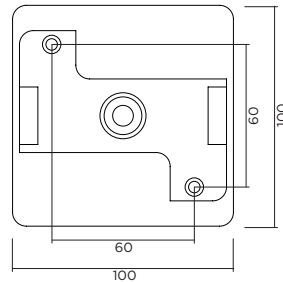
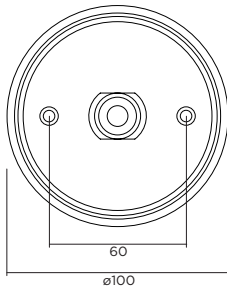
LED 6W | 220-240VAC | 50-60Hz | COB 2-step | incl. power supply

CE IP65 960°C 0.3m

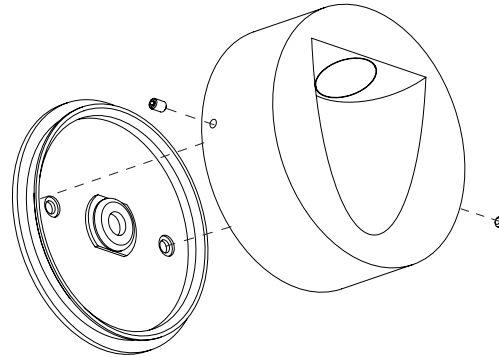
3000K | >80CRI | 370lm

white texture	703253W4
aluminium brushed (only for interior use)	703253L4
dark grey texture (only for exterior use)	703253D4

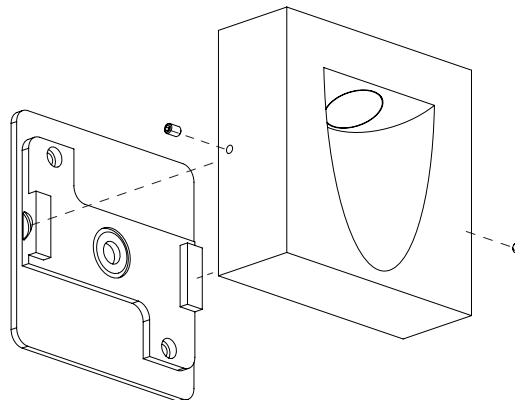
back plate dimensions



SMILE ON 1.0



SMILE ON 2.0

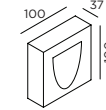


DIMENSIONS

SMILE ON 1.0



SMILE ON 2.0



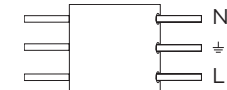
MOUNTING INSTRUCTION

- 1 Remove the back plate
- 2 Fixate the back plate to the wall with screws
For exterior put plastic gaskets on the screws

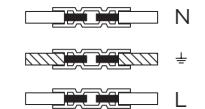
POWER CONNECTION

- 3 Use connector or cut wires to connect to power supply

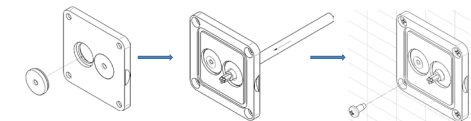
Interior: STANDARD version



Exterior: WATERPROOF Connection



IP-rated connections for wall fixtures: cable isolation for round cables \varnothing 4.5-7.5 mm, should be in the grommet. For cable use \varnothing 7.0-9.5 mm: replace the grommet with the other grommet in the bag.



Push the grommet into the back plate. Pull the cable through the back plate. Mount the back plate on the wall.

- 4 Fixate the fixture base to the base plate



WEVER & DUCRÉ
LIGHTING

www.weverducre.com

INSTALLATION
INSTRUCTIONS