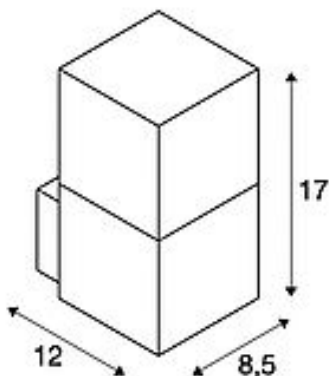
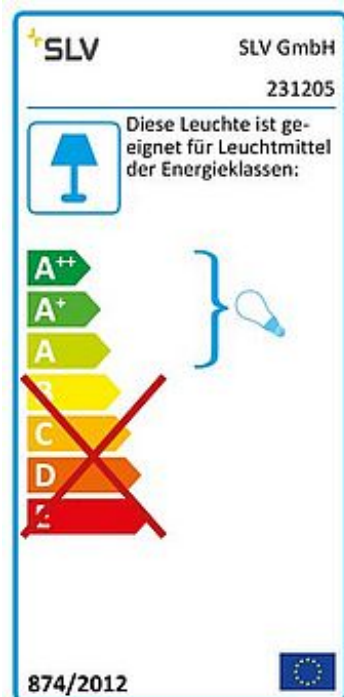


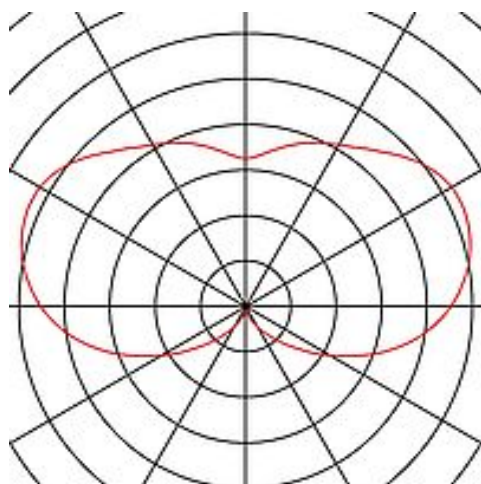


SLV GRAFIT WL

outdoor wall light, TC-DSE, IP44, anthracite, energy-saving lamp, max. 11W



Article number	231205
Product family	Grafit
Feed-in capability	No
Lampholder / Socket	E27
Number of light sources	1
Lamp included	No
Width	8.5 cm
Height	17 cm
Depth	12 cm
Net weight	0.569 kg
Gross weight	0.705 kg
Voltage	230V ~50Hz
Max. wattage	11 Watt
Protection class	I
IP-rating	IP 44
Energy efficiency class	A++
Way of mounting	Surface mounted / Wall mounted
Lamp	TC-DSE
Colour	anthracite
Form	square
Light distribution type 1	direct - indirect
Light distribution type 2	rotational symmetric
Material	TBD



Articles of this series

231195 GRAPHITE TORCH, outdoor wall light, TC-(D,H,T,Q)SE, IP44, anthracite, max. 11W

231215 GRAFIT 30, outdoor floor stand, TC-DSE, IP44, anthracite, energy-saving lamp, L/W/H 12/12/30 cm, max. 11W

231225 GRAFIT 60, outdoor floor stand, TC-DSE, IP44, anthracite, energy-saving lamp, L/W/H 12/12/60 cm, max. 11W

The aluminium-made wall light GRAFHIT WL convinces by its special effect. The lamp shades are made from frosted plastic held in smoked-grey glass look, that disappears in the on mode. Thereby, the fitting visually comes in two different forms. It is suitable for use outdoors thanks to its IP44 protection class. The GRAFIT series also contains floor stands and can therefore be used universally. This luminaire is suitable for lamps of energy classes: A - A+

Notes
