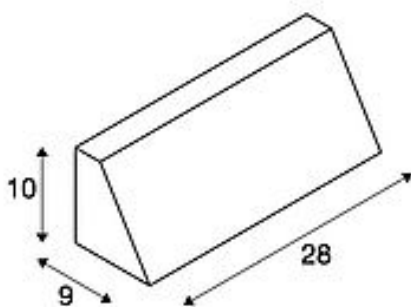
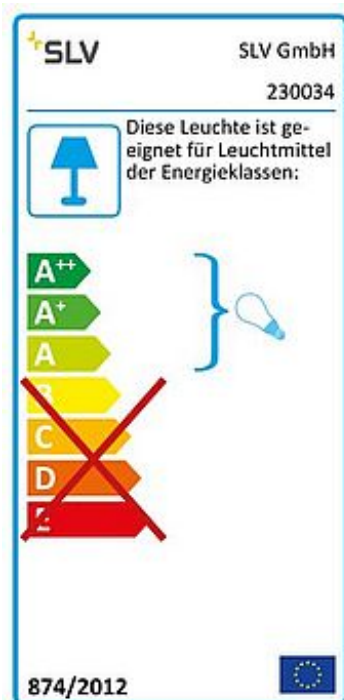
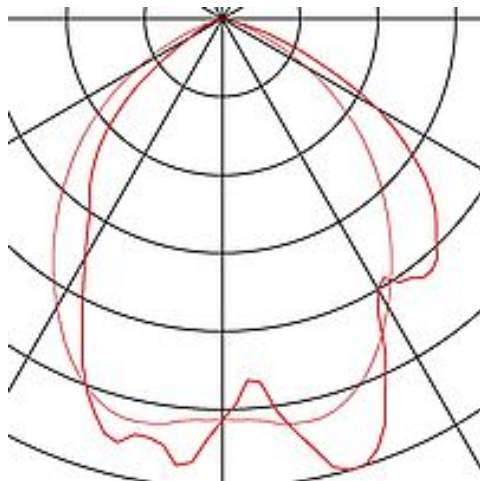


**SLV PEMA**

outdoor wall light, TC-(D,H,T,Q)SE, IP44, rectangular, silver-grey, max. 15W



Article number	230034
Feed-in capability	No
Lampholder / Socket	E27
Number of light sources	1
Lamp included	No
Width	28 cm
Height	10 cm
Depth	9 cm
Net weight	1.133 kg
Gross weight	1.281 kg
Voltage	230V ~50Hz
Max. wattage	15 Watt
Protection class	I
IP-rating	IP 44
Energy efficiency class	A++
Way of mounting	Surface mounted / Wall mounted
Lamp	TC(... )SE
Colour	silver
Form	square
Light distribution type 1	direct
Light distribution type 2	symmetric
Material	Aluminium/glass



Articles of this series

- 
- |        |  |
|--------|--|
| 229890 | PEMA, outdoor wall light, TC-D, IP44, half-round, black, 18W |
|--------|--|
- 
- |        |  |
|--------|--|
| 229894 | PEMA, outdoor wall light, TC-D, IP44, half-round, silver-grey, 18W |
|--------|--|
- 
- |        |  |
|--------|--|
| 230030 | PEMA, outdoor wall light, TC-(D,H,T,Q)SE, IP44, rectangular, black, max. 15W |
|--------|--|
- 
- |        |  |
|--------|--|
| 230031 | PEMA, outdoor wall light, TC-(D,H,T,Q)SE, IP44, rectangular, white, max. 15W |
|--------|--|

The single-headed PEMA wall light consists of painted aluminium and glass, which covers the lamp. It is protection class IP44 and suitable for outdoor use. The electrical connection of the luminaire, which comes in various colours, is made directly to the 230V mains supply. This luminaire is suitable for lamps of energy classes: A - A+

Notes

---

---

---