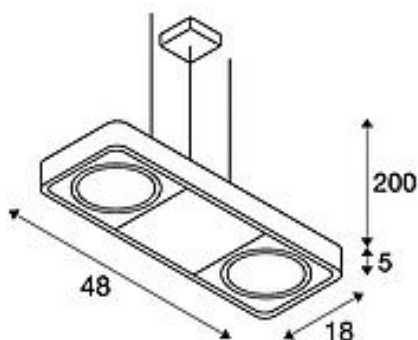


SLV AIXLIGHT R2 DUO

pendant, double-headed, QR111, black, L/W/H 48/18/5 cm, 2x75W max.



| | |
|---------------------------|-----------------------------------|
| Article number | 159210 |
| Product family | AIXLIGHT R2 |
| Feed-in capability | No |
| Lampholder / Socket | GU10 |
| Number of light sources | 2 |
| Lamp included | No |
| Length | 48 cm |
| Width | 18 cm |
| Height | 5 cm |
| Pendant length | 200 cm |
| Net weight | 2.606 kg |
| Gross weight | 2.989 kg |
| Voltage | 230V ~50Hz |
| Max. wattage | 75 Watt |
| Protection class | I |
| Energy efficiency class | A++ |
| Way of mounting | Surface mounted / Ceiling mounted |
| Lamp | QPAR111 |
| Colour | black |
| Light distribution type 1 | direct |
| Material | Aluminium |

Articles of this series

| | |
|--------|---|
| 159010 | AIXLIGHT R2, wall light, single-headed, QR111, black, max. 50W |
| 159011 | AIXLIGHT R2, wall light, single-headed, QR111, white, max. 50W |
| 159014 | AIXLIGHT R2, wall light, single-headed, QR111, silver-grey, max. 50W |
| 159030 | AIXLIGHT R2, pendant, double-headed, QR111, rectangular, black, max. 100W |
| 159031 | AIXLIGHT R2, pendant, double-headed, QR111, rectangular, white, max. 100W |
| 159034 | AIXLIGHT R2, pendant, double-headed, QR111, rectangular, silver-grey, max. 100W |
| 159050 | AIXLIGHT R2, pendant, double-headed, HIT, rectangular, black, max. 140W, without reflector |
| 159051 | AIXLIGHT R2, pendant, double-headed, HIT, rectangular, white, max. 140W, without reflector |
| 159054 | AIXLIGHT R2, pendant, double-headed, HIT, rectangular, silver-grey, max. 140W, without reflector |
| 159060 | AIXLIGHT R2 SQUARE, pendant, four-headed, QR111, square, black, max. 200W |
| 159061 | AIXLIGHT R2 SQUARE, pendant, four-headed, QR111, square, white, max. 200W |
| 159064 | AIXLIGHT R2 SQUARE, pendant, four-headed, QR111, square, silver-grey, max. 200W |
| 159080 | AIXLIGHT R2 LONG, pendant, four-headed, QR111, rectangular, black, max. 200W |
| 159081 | AIXLIGHT R2 LONG, pendant, four-headed, QR111, rectangular, white, max. 200W |
| 159084 | AIXLIGHT R2 LONG, pendant, four-headed, QR111, rectangular, silver-grey, max. 200W |
| 159100 | AIXLIGHT R2 OFFICE, pendant, double-headed, QPAR111, rectangular, black, L/W/H 122.5/18/5 cm, max. 228W |
| 159101 | AIXLIGHT R2 OFFICE, pendant, double-headed, QPAR111, rectangular, white, L/W/H 122.5/18/5 cm, max. 228W |
| 159104 | AIXLIGHT R2 OFFICE, pendant, double-headed, QPAR111, rectangular, silver-grey, L/W/H 122.5/18/5 cm, max. 228W |

| | |
|--------|---|
| 159120 | AIXLIGHT R2 OFFICE, pendant, double-headed, QPAR111, rectangular, black, L/W/H 153/18/5 cm, max. 258W |
| 159121 | AIXLIGHT R2 OFFICE, pendant, double-headed, QPAR111, rectangular, white, L/W/H 153/18/5 cm, max. 258W |
| 159124 | AIXLIGHT R2 OFFICE, pendant, double-headed, QPAR111, rectangular, silver-grey, L/W/H 153/18/5 cm, max. 258W |
| 159211 | AIXLIGHT R2 DUO, pendant, double-headed, QR111, white, L/W/H 48/18/5 cm, 2x75W max. |
| 159220 | AIXLIGHT R2 LONG, pendant, four-headed, QR111, rectangular, black, L/W/H 77/18/5 cm, 2x75W max. |
| 159221 | AIXLIGHT R2 LONG, pendant, four-headed, QR111, rectangular, white, L/W/H 77/18/5 cm, 2x75W max. |
| 159130 | AIXLIGHT R2 OFFICE, pendant, double-headed, QPAR111, LED, 4000K, rectangular, black, L/W/H 123/18/5 cm, 1x22W, 2x75W max. |
| 159131 | AIXLIGHT R2 OFFICE, pendant, double-headed, QPAR111, LED, 4000K, rectangular, white, L/W/H 123/18/5 cm, 1x22W, 2x75W max. |
| 159134 | AIXLIGHT R2 OFFICE, pendant, double-headed, QPAR111, LED, 4000K, rectangular, silver-grey, L/W/H 123/18/5 cm, 1x22W, 2x75W max. |
| 159140 | AIXLIGHT R2 OFFICE, pendant, double-headed, QPAR111, LED, 4000K, rectangular, black, L/W/H 153/18/5 cm, 1x33.5W, 2x75W max. |
| 159141 | AIXLIGHT R2 OFFICE, pendant, double-headed, QPAR111, LED, 4000K, rectangular, white, L/W/H 153/18/5 cm, 1x33.5W, 2x75W max. |
| 159224 | AIXLIGHT R2 LONG, pendant, four-headed, QR111, rectangular, silver-grey, L/W/H 77/18/5 cm, 2x75W max. |
| 159230 | AIXLIGHT R2 SQUARE, pendant, four-headed, QR111, square, black, L/W/H 40/36/5 cm, 2x75W max. |
| 159231 | AIXLIGHT R2 SQUARE, pendant, four-headed, QR111, square, white, L/W/H 40/36/5 cm, 4x75W max. |
| 159144 | AIXLIGHT R2 OFFICE, pendant, double-headed, QPAR111, LED, 4000K, rectangular, silver-grey, L/W/H 153/18/5 cm, 1x33.5W, 2x75W max. |
| 159214 | AIXLIGHT R2 DUO, pendant, double-headed, QR111, silver-grey, L/W/H 48/18/5 cm, 2x75W max. |
| 159234 | AIXLIGHT R2 SQUARE, pendant, four-headed, QR111, square, silver-grey, L/W/H 40/36/5 cm, 2x75W max. |

With our AIXLIGHT R2 DUO, which is in keeping with the basic design of the AIXLIGHT R series, we offer a high-voltage pendant which takes two HV ES111-type lamps. It is available in black, white, or silver-grey housing colours. The lamp holders are multi-directional tiltable ensuring the light cone can be individually aligned. AIXLIGHT R2 DUO is ready to be directly connected to the 230V mains supply. This luminaire is suitable for lamps of energy classes: E - A++

Notes
