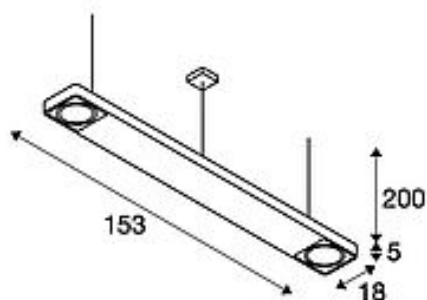
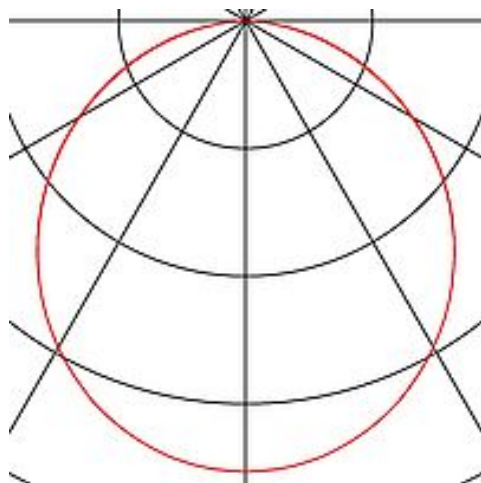


**SLV AIXLIGHT R2 OFFICE**

pendant, double-headed, QPAR111, LED, 4000K, rectangular, silver-grey, L/W/H 153/18/5 cm, 1x33.5W, 2x75W max.



Article number	159144
Product family	AIXLIGHT R2
Feed-in capability	No
Lampholder / Socket	GU10
Number of light sources	2
Lamp included	No
Length	153 cm
Width	18 cm
Height	5 cm
Pendant length	200 cm
Net weight	6.671 kg
Gross weight	8.282 kg
Voltage	220-240V ~50/60Hz sec. 700mA
Max. wattage	75 Watt
Protection class	I
Beam angle	120 Degree
Average lifespan	25000 Hours
Colour temperature	4000 Kelvin
Colour rendering index	80
Luminous flux	4100 lm
Energy efficiency class	A++
Way of mounting	Surface mounted / Ceiling mounted
Lamp	QPAR111
Colour	Silver-grey
Form	round
Light distribution type 1	direct
Light distribution type 2	symmetric



Material

Aluminium/steel

Articles of this series

159010	AIXLIGHT R2, wall light, single-headed, QR111, black, max. 50W
159011	AIXLIGHT R2, wall light, single-headed, QR111, white, max. 50W
159014	AIXLIGHT R2, wall light, single-headed, QR111, silver-grey, max. 50W
159030	AIXLIGHT R2, pendant, double-headed, QR111, rectangular, black, max. 100W
159031	AIXLIGHT R2, pendant, double-headed, QR111, rectangular, white, max. 100W
159034	AIXLIGHT R2, pendant, double-headed, QR111, rectangular, silver-grey, max. 100W
159050	AIXLIGHT R2, pendant, double-headed, HIT, rectangular, black, max. 140W, without reflector
159051	AIXLIGHT R2, pendant, double-headed, HIT, rectangular, white, max. 140W, without reflector
159054	AIXLIGHT R2, pendant, double-headed, HIT, rectangular, silver-grey, max. 140W, without reflector
159060	AIXLIGHT R2 SQUARE, pendant, four-headed, QR111, square, black, max. 200W
159061	AIXLIGHT R2 SQUARE, pendant, four-headed, QR111, square, white, max. 200W
159064	AIXLIGHT R2 SQUARE, pendant, four-headed, QR111, square, silver-grey, max. 200W
159080	AIXLIGHT R2 LONG, pendant, four-headed, QR111, rectangular, black, max. 200W
159081	AIXLIGHT R2 LONG, pendant, four-headed, QR111, rectangular, white, max. 200W
159084	AIXLIGHT R2 LONG, pendant, four-headed, QR111, rectangular, silver-grey, max. 200W
159100	AIXLIGHT R2 OFFICE, pendant, double-headed, QPAR111, rectangular, black, L/W/H 122.5/18/5 cm, max. 228W
159101	AIXLIGHT R2 OFFICE, pendant, double-headed, QPAR111, rectangular, white, L/W/H 122.5/18/5 cm, max. 228W
159104	AIXLIGHT R2 OFFICE, pendant, double-headed, QPAR111, rectangular, silver-grey, L/W/H 122.5/18/5 cm, max. 228W

159120	AIXLIGHT R2 OFFICE, pendant, double-headed, QPAR111, rectangular, black, L/W/H 153/18/5 cm, max. 258W
159121	AIXLIGHT R2 OFFICE, pendant, double-headed, QPAR111, rectangular, white, L/W/H 153/18/5 cm, max. 258W
159124	AIXLIGHT R2 OFFICE, pendant, double-headed, QPAR111, rectangular, silver-grey, L/W/H 153/18/5 cm, max. 258W
159210	AIXLIGHT R2 DUO, pendant, double-headed, QR111, black, L/W/H 48/18/5 cm, 2x75W max.
159211	AIXLIGHT R2 DUO, pendant, double-headed, QR111, white, L/W/H 48/18/5 cm, 2x75W max.
159220	AIXLIGHT R2 LONG, pendant, four-headed, QR111, rectangular, black, L/W/H 77/18/5 cm, 2x75W max.
159221	AIXLIGHT R2 LONG, pendant, four-headed, QR111, rectangular, white, L/W/H 77/18/5 cm, 2x75W max.
159130	AIXLIGHT R2 OFFICE, pendant, double-headed, QPAR111, LED, 4000K, rectangular, black, L/W/H 123/18/5 cm, 1x22W, 2x75W max.
159131	AIXLIGHT R2 OFFICE, pendant, double-headed, QPAR111, LED, 4000K, rectangular, white, L/W/H 123/18/5 cm, 1x22W, 2x75W max.
159134	AIXLIGHT R2 OFFICE, pendant, double-headed, QPAR111, LED, 4000K, rectangular, silver-grey, L/W/H 123/18/5 cm, 1x22W, 2x75W max.
159140	AIXLIGHT R2 OFFICE, pendant, double-headed, QPAR111, LED, 4000K, rectangular, black, L/W/H 153/18/5 cm, 1x33.5W, 2x75W max.
159141	AIXLIGHT R2 OFFICE, pendant, double-headed, QPAR111, LED, 4000K, rectangular, white, L/W/H 153/18/5 cm, 1x33.5W, 2x75W max.
159224	AIXLIGHT R2 LONG, pendant, four-headed, QR111, rectangular, silver-grey, L/W/H 77/18/5 cm, 2x75W max.
159230	AIXLIGHT R2 SQUARE, pendant, four-headed, QR111, square, black, L/W/H 40/36/5 cm, 2x75W max.
159231	AIXLIGHT R2 SQUARE, pendant, four-headed, QR111, square, white, L/W/H 40/36/5 cm, 4x75W max.
159214	AIXLIGHT R2 DUO, pendant, double-headed, QR111, silver-grey, L/W/H 48/18/5 cm, 2x75W max.
159234	AIXLIGHT R2 SQUARE, pendant, four-headed, QR111, square, silver-grey, L/W/H 40/36/5 cm, 2x75W max.

With our AIXLIGHT R2 OFFICE, which is in keeping with the basic design of the AIXLIGHT R series, we offer a high-voltage pendant, which takes two halogen ES111 type lamps with an additional frosted lighting surface, which can be fitted with an energy-saving 33.5W premium LED module. It is available in black, white, or silver-grey housing colours. The lamp holders are multi-directional tiltable ensuring the light cone can be individually aligned. Thanks to the built-in electronic ballast, the AIXLIGHT R2 OFFICE is ready to be directly connected to the 230V mains supply. The ES111 and T5 lamps can be switched separately. This luminaire is suitable for lamps of energy classes: E - A++

## Notes

---

---

---