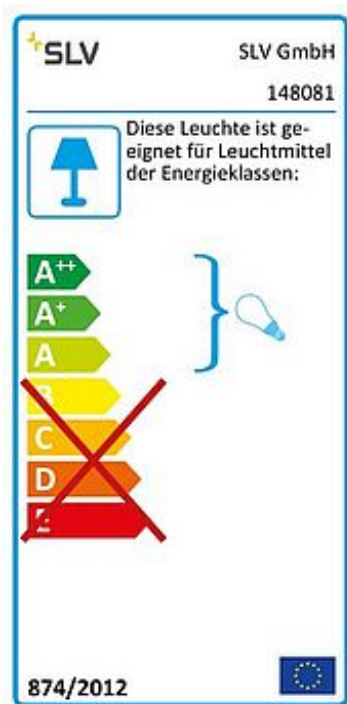




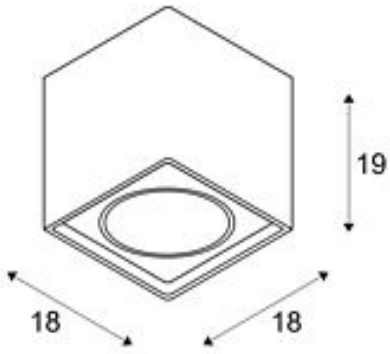
PLASTRA

ceiling light, single-headed, LED GU10 111mm, square, white plaster, L/B/H 18/18/19 cm



| | |
|---------------------------|-------------------|
| Article number | 148081 |
| Feed-in capability | No |
| Lampholder / Socket | GU10 |
| Number of light sources | 1 |
| Lamp included | No |
| Tilt range | 25 Degree |
| Rotation range | 120 Degree |
| Length | 18 cm |
| Width | 18 cm |
| Height | 19 cm |
| Net weight | 3.671 kg |
| Gross weight | 4.011 kg |
| Voltage | 220-240V ~50/60Hz |
| Max. wattage | 17 Watt |
| Protection class | I |
| Energy efficiency class | A++ |
| Lamp | LED GU10 51mm |
| Colour | white |
| Form | square |
| Light distribution type 1 | direct |
| Material | Plaster/steel |

With the PLASTRA LED plaster light, you have a highly-individual ceiling light with a puristic design. Prepared to accept a QPAR111 LED lamp, it is ready for direct connection to the 230V mains supply. The sandpaper included as part of the delivery is used to clean the surfaces. After priming, the luminaire can be painted with wall paint as desired. The PLASTRA product family impresses with its wide range of application and design possibilities.



Notes
