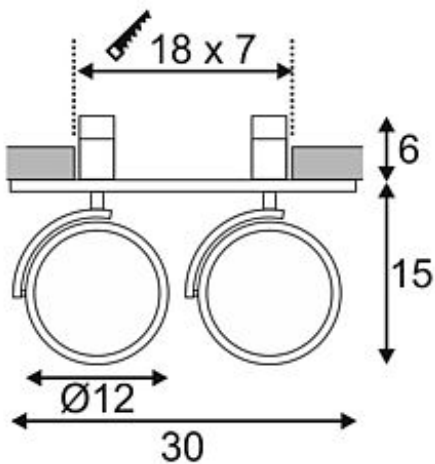
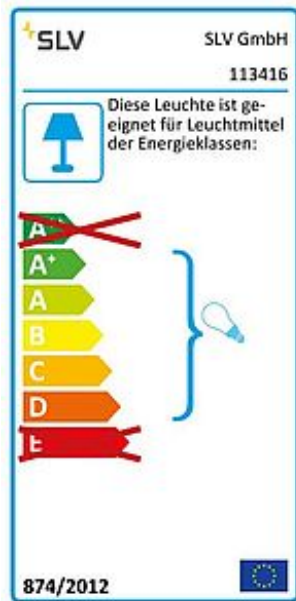


KALU RECESSED 1 QRB111

2 spots, brushed aluminium, 2x QRB111, max. 2x 50W



Article number	113416
Product family	KALU
Feed-in capability	No
LBS code	QR111
Lampholder / Socket	G53
Number of light sources	1
Lamp included	No
Installation length	18 cm
Installation width	7 cm
Installation depth	6 cm
Tilt range	90 Degree
Rotation range	350 Degree
Length	30 cm
Width	9 cm
Height	15 cm
Depth	15 cm
Net weight	0.68 kg
Gross weight	0.972 kg
Voltage	12 Volts
Max. wattage	100 Watt
Protection class	III
Energy efficiency class	A+
Lamp	QRB 111 12V
Material	aluminium
Colour	Aluminium brushed
Way of mounting	Recessed wall / Recessed ceiling mounting
Remark 1	Only suitable for walls and ceilings with a maximum thickness of 25 mm
Light distribution type 1	direct

The puristic design of the recessed version of KALU is a guarantor for free alignment of the lamp heads which are suitable for either QRB-halogen or appropriate LED bulbs. KALU RECESSED is available with one, two or three spots. The electrical connection is made via a separately available low-voltage transformer providing 12V alternating current. This luminaire is compatible with bulbs of the energy classes: D - A+