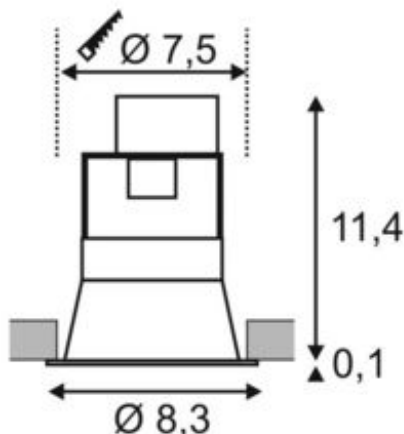
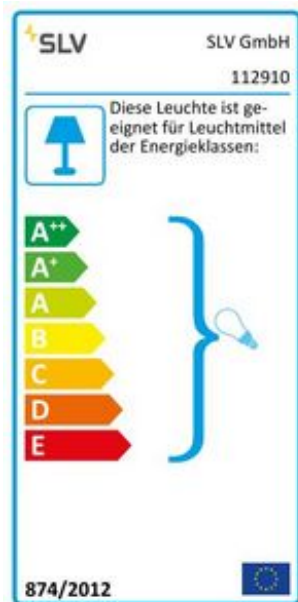


HORN

recessed fitting, QPAR51, round, black, max. 50W, incl. clip springs



Article number	112910
Feed-in capability	No
LBS code	QPAR51
Lampholder / Socket	GU10
Number of light sources	1
Lamp included	No
Installation diameter	7.5 cm
Installation depth	11.6 cm
Height	11.5 cm
Diameter	8.3 cm
Net weight	0.167 kg
Gross weight	0.207 kg
Voltage	230 Volts
Max. wattage	50 Watt
Protection class	I
Energy efficiency class	A++
Lamp	GU10 230V
Material	steel
Colour	Black
Way of mounting	Recessed ceiling mounting
Light distribution type 1	direct

Rigid high-voltage downlight of our HORN series. The fitting is made from steel and the lamp itself is placed to the luminaire's rear. This design creates a special look. The electrical connection is made directly to 230V mains supply. Multi-spot as well as low-voltage versions are also available. This luminaire is compatible with bulbs of the energy classes: E - A++