

CORO

25-09-2015

0.8

LED 3W | 220-240VAC | 50-60Hz | PCB 3-step | incl. power supply

CE IP20 / IP44 960°C 0.3m

3000K | >85CRI | 321lm
white texture

127273W4

3000K | >85CRI | 321lm | IP44
white texture

148273W4

1.1

LED 8W | 220-240VAC | 50-60Hz | PCB 3-step | incl. PS | phase-cut dim

CE IP20 960°C 0.3m

3000K | >85CRI | 783lm
white texture

127374W4

1.3

LED 12W | 220-240VAC | 50-60Hz | PCB 3-step | incl. PS | phase-cut dim

CE IP20 / IP44 960°C 0.3m

3000K | >85CRI | 1284lm
white texture

127474W4

3000K | >85CRI | 783lm | IP44 | no dim
white texture

148473W4

1.4

LED 14W | 220-240VAC | 50-60Hz | PCB 3-step | incl. PS | phase-cut dim

CE IP20 960°C 0.3m

3000K | >85CRI | 1535lm
white texture

127574W4

1.6

LED 12W | 220-240VAC | 50-60Hz | PCB 3-step | incl. PS | phase-cut dim

CE IP20 960°C 0.3m

3000K | >85CRI | 1284lm
white texture

127674W4

2.0

LED 16W | 220-240VAC | 50-60Hz | PCB 3-step | incl. PS | phase-cut dim

CE IP20 960°C 0.3m

3000K | >85CRI | 1820lm
white texture

127774W4

2.5

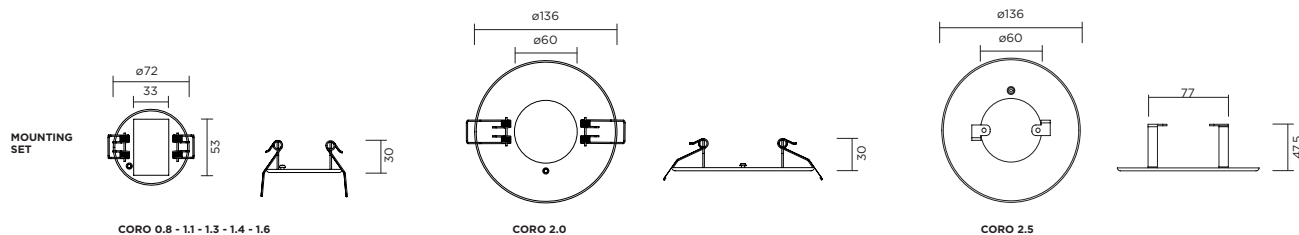
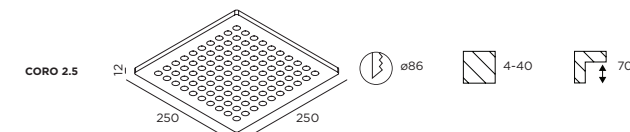
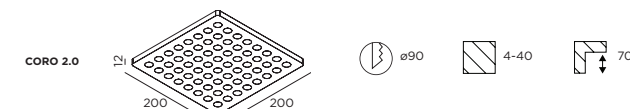
LED 20W | 220-240VAC | 50-60Hz | PCB 3-step | incl. PS | phase-cut dim

CE IP20 960°C 0.3m

3000K | >85CRI | 2371lm
white texture

127874W4

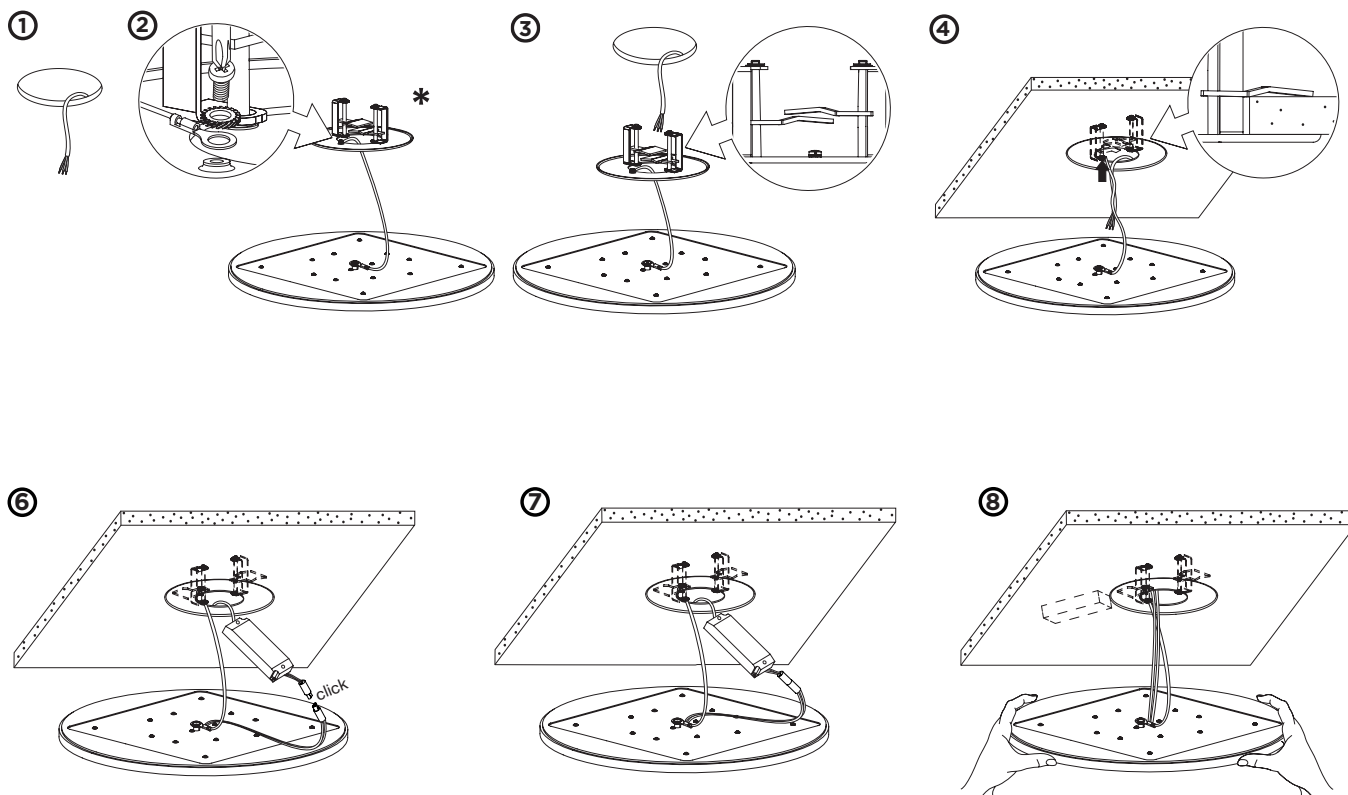
CEILING RECESSED - DIMENSIONS



CORO

25-09-2015

* MOUNTING SET CAN BE WITH SPRINGS / BRACKETS, DEPENDING FROM THE TYPE OF CORO / CORY.
THE EXAMPLE BELOW, INSTALLATION WITH BRACKETS IS SHOWN.

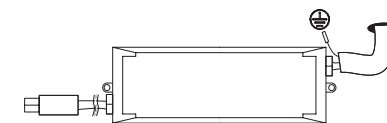


MOUNTING INSTRUCTION - CEILING RECESSED

- ① Cut out the mounting hole depending on the details of the mounting set and prepare the power source
- ② Mount the safety cable to the mounting set
- ③ Turn the mounting brackets
- ④ Place the mounting frame

POWER CONNECTION

- ⑤ Connect the wires to the power supply



- ⑥ Connect the CORO to the power supply. The LED circuit must always be closed before the converter is connected to the main power. Wever & Ducré does not assume any liability for damage resulting from nonobservance of this rule.
- ⑦ Put the power supply through the mounting set into the ceiling
- ⑧ Fix the CORO to the magnetic mounting set



WEVER & DUCRÉ
LIGHTING

www.weverducre.com

INSTALLATION
INSTRUCTIONS

PAGE 2/4

CORO

25-09-2015

1.1

LED 8W | 220-240VAC | 50-60Hz | PCB 3-step | incl. power supply

CE IP20 60° 0.3m

3000K | >85CRI | 783lm
white texture

137173W4

1.3

LED 9W | 220-240VAC | 50-60Hz | PCB 3-step | incl. power supply

CE IP20 60° 0.3m

3000K | >85CRI | 977lm
white texture

137273W4

1.4

LED 8W | 220-240VAC | 50-60Hz | PCB 3-step | incl. power supply

CE IP20 60° 0.3m

3000K | >85CRI | 783lm
white texture

137373W4

1.6

LED 12W | 220-240VAC | 50-60Hz | PCB 3-step | incl. power supply

CE IP20 60° 0.3m

3000K | >85CRI | 977lm
white texture

137473W4

2.0

LED 16W | 220-240VAC | 50-60Hz | PCB 3-step | incl. power supply

CE IP20 60° 0.3m

3000K | >85CRI | 1820lm
white texture

137674W4

2.5

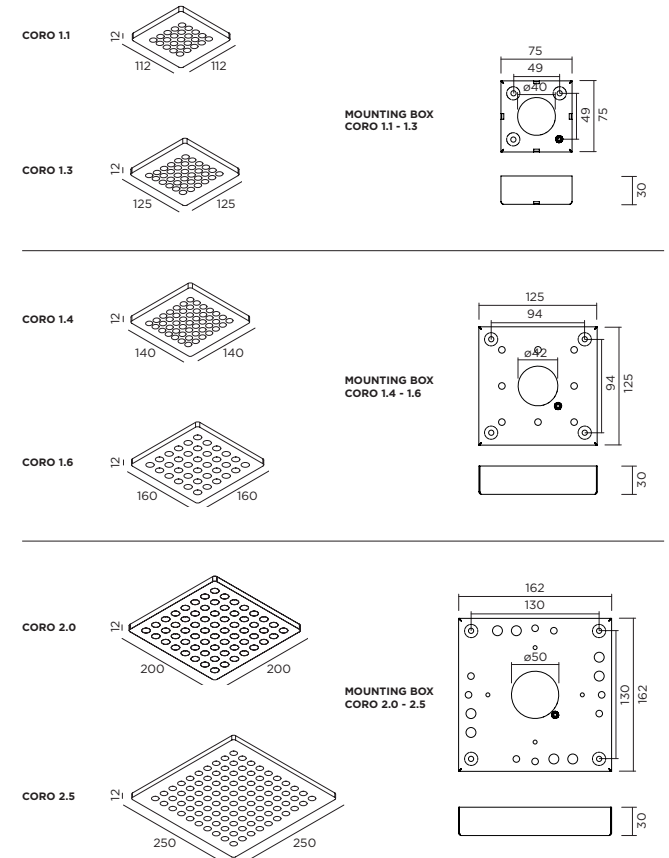
LED 20W | 220-240VAC | 50-60Hz | PCB 3-step | incl. power supply

CE IP20 60° 0.3m

3000K | >85CRI | 2371lm
white texture

137774W4

CEILING SURFACE - DIMENSIONS



WEVER & DUCRÉ
LIGHTING

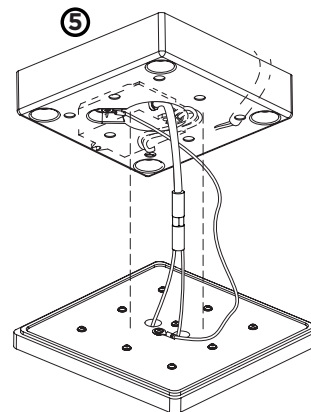
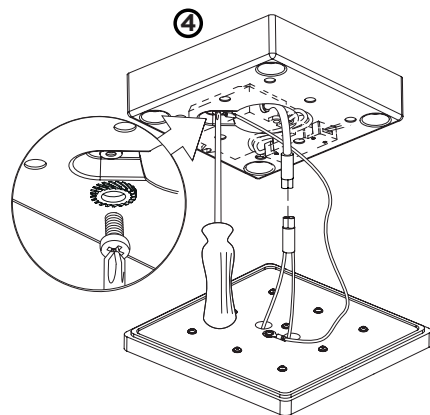
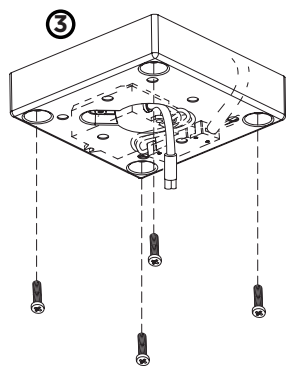
www.weverducre.com

INSTALLATION
INSTRUCTIONS

PAGE 3/4

CORO

25-09-2015

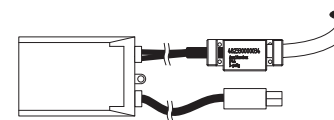


MOUNTING INSTRUCTION - CEILING SURFACE

- 1 Connect the power source with the junction box and prepare the mounting holes with the included drilling template for the mounting set

POWER CONNECTION

- 2 Connect the wires to the power supply



- 3 Put the power supply and the junction box into the mounting set and fix the mounting set to the ceiling
- 4 Mount the safety cable to the mounting set and connect the light to the power supply
The LED circuit must always be closed before the converter is connected to the main power.
Wever & Ducré does not assume any liability for damages resulting from nonobservance of this rule
- 5 Fix the CORO to the magnetic mounting set



WEVER & DUCRÉ
LIGHTING

www.weverducre.com

INSTALLATION
INSTRUCTIONS

PAGE 4/4