

# P

Paulmann

## Safety Instructions



0,1,2,4,5b,7,8,9,11,  
12,15,16,17,19,20,21,  
23,25,29

 Info Hotline

+49 (0) 5041 998 389

Mon. - Do. 7<sup>00</sup> - 20<sup>00</sup>

Fr. 7<sup>00</sup> - 17<sup>00</sup>

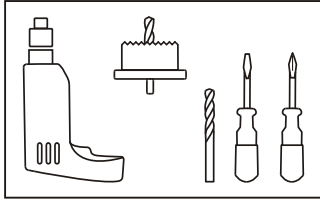


Paulmann Licht GmbH  
31832 Springe / Germany  
www.paulmann.com

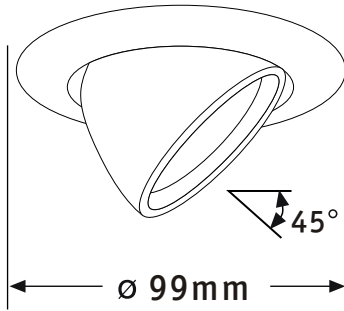
Art.-Nr.:  
507000313

(+MA 173)

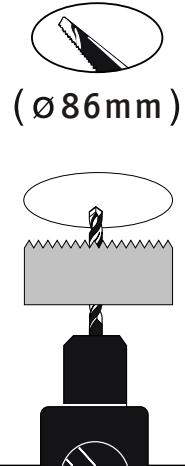
PBO 10 / 09



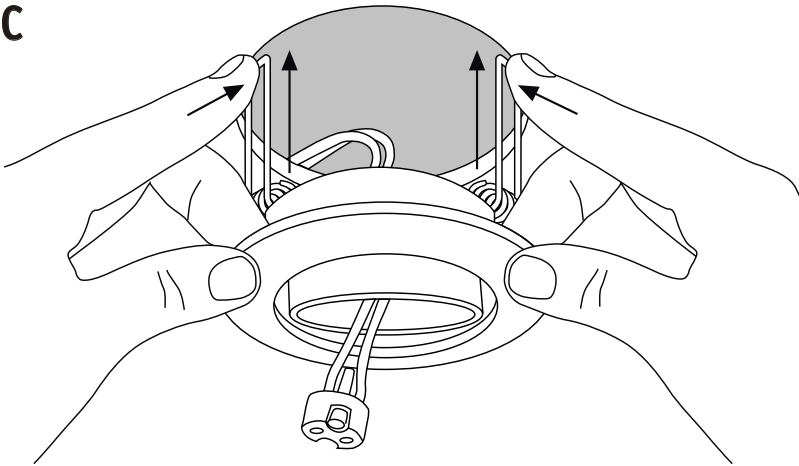
**A**



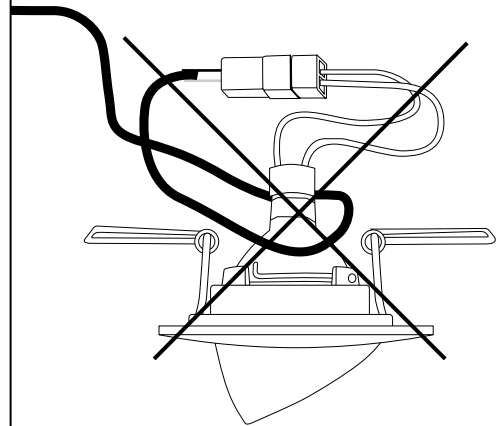
**B**



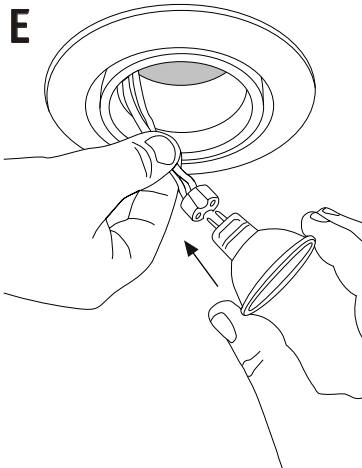
**C**



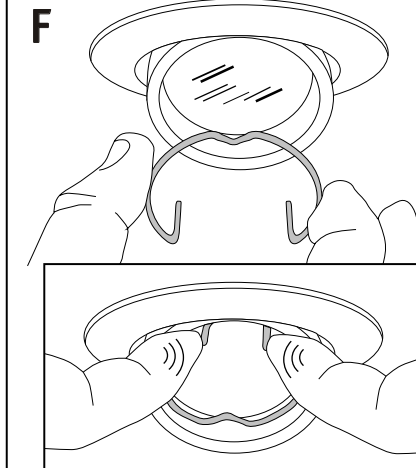
**D**



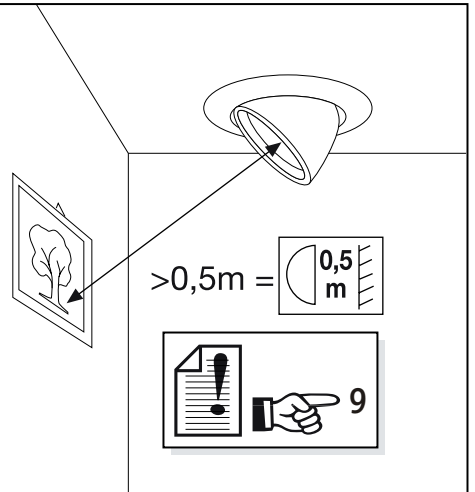
**E**

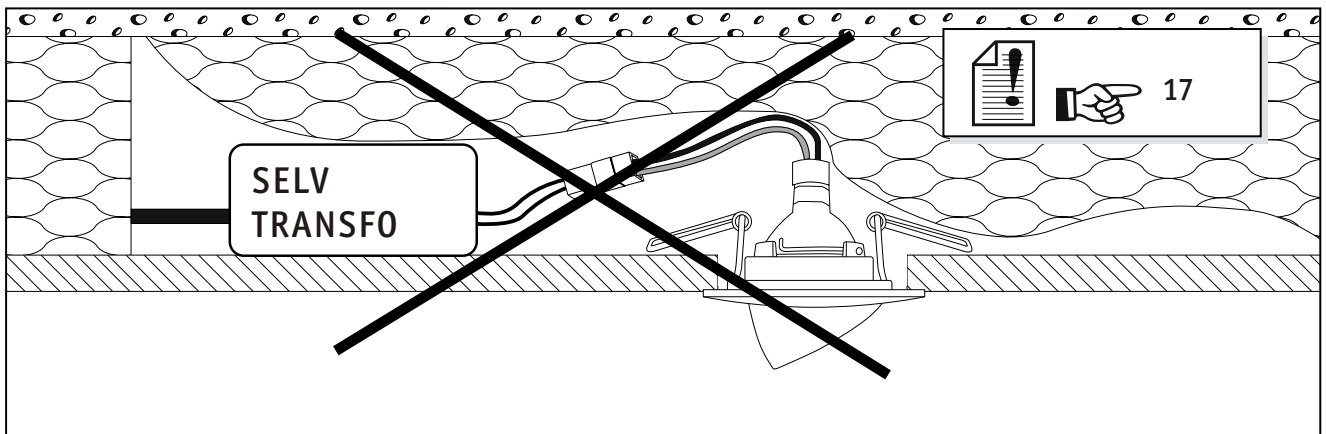
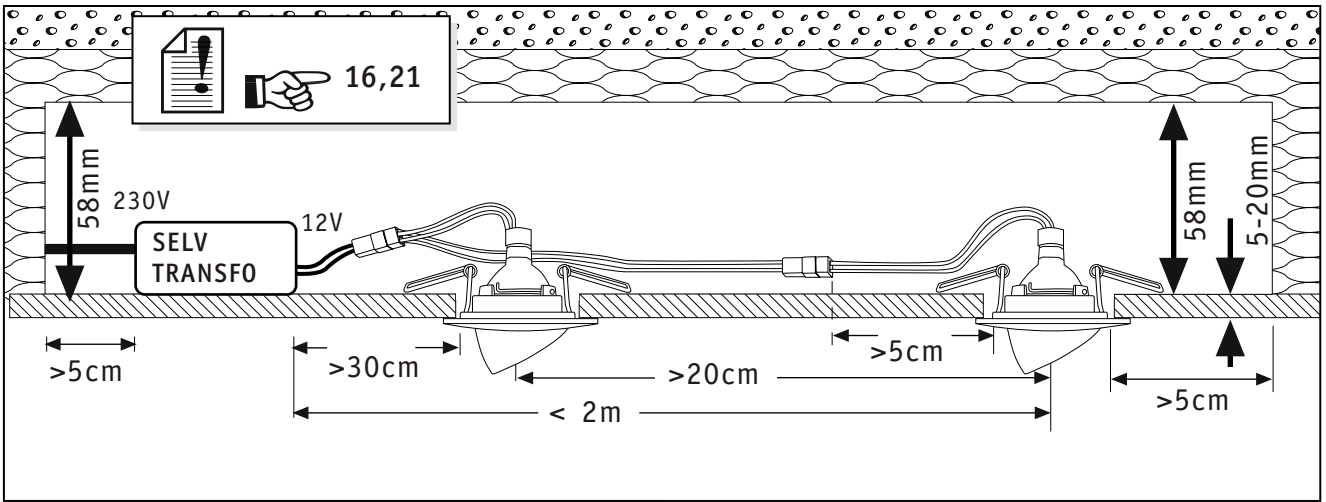





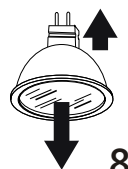


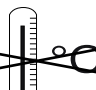

**F**



**G**





|  |   |   |   |
|--|---|---|---|
|  <p>COOL BEAM</p> <p><b>Paulmann</b></p> <p><b>SECURITY</b></p> |  <p>°C</p> |   <p>20 %</p> <p>80 %</p> |  <p>Art. No.</p> <p>20 W 51mm GU5,3 832.21</p> <p>35 W 51mm GU5,3 832.31</p> <p>50 W 51mm GU5,3 832.51</p> |
|  <p>COOL BEAM</p>   |  <p>°C</p> |  <p>60 %</p> <p>40 %</p>   |   |

