



Safety Instructions



0, 1, 2, 4, 6, 10, 11,
15, 25

Info Hotline



+49 (0) 5041 998 389

Mon.-Do. 7⁰⁰-20⁰⁰

Fr. 7⁰⁰-17⁰⁰

Paulmann Licht GmbH
31832 Springe / Germany
www.paulmann.com

Art.-Nr.:

937.40

937.41

937.42

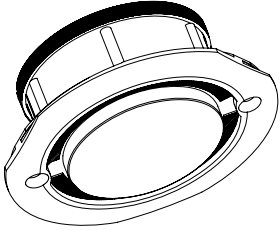
937.43

937.44

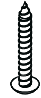
937.45

(+MA 173)
PKE 10/11

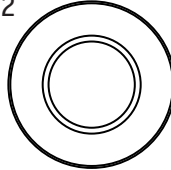
937.40
937.41



1x

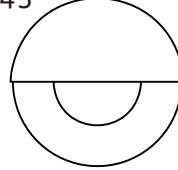
incl. 

937.42



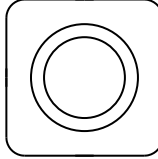
1x

937.43



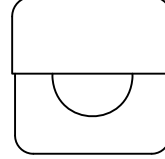
1x

937.44

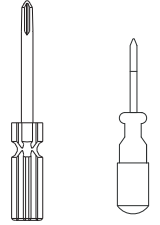


1x

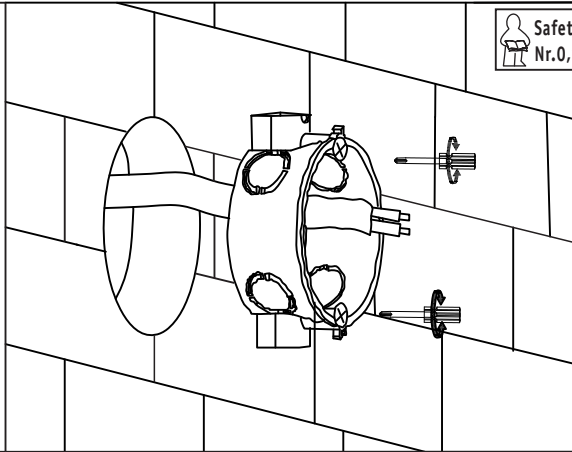
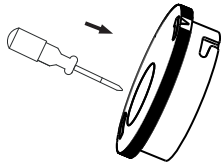
937.45



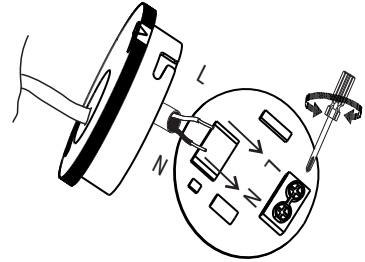
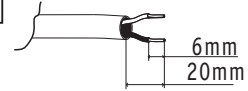
1x



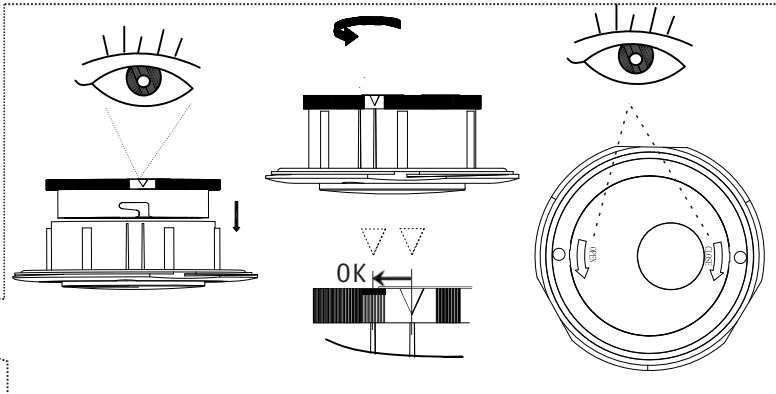
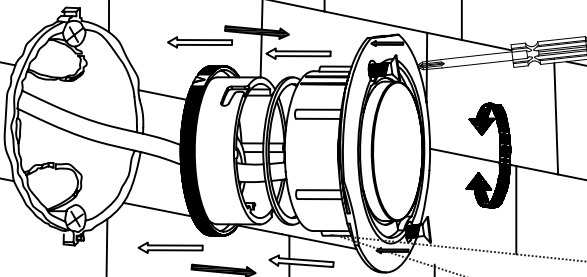
A



Safety Instructions
Nr. 0, 1, 2, 4



B



C

