



Safety Instructions



0,1,2,4,6,7,8,11,15
16,17,19,22,23,25

Info Hotline

+49 (0) 5041 998 389

Mon. - Do. 7⁰⁰ - 20⁰⁰

Fr. 7⁰⁰ - 17⁰⁰



Paulmann Licht GmbH
31832 Springe / Germany
www.paulmann.com

Art.-Nr.:

926.93

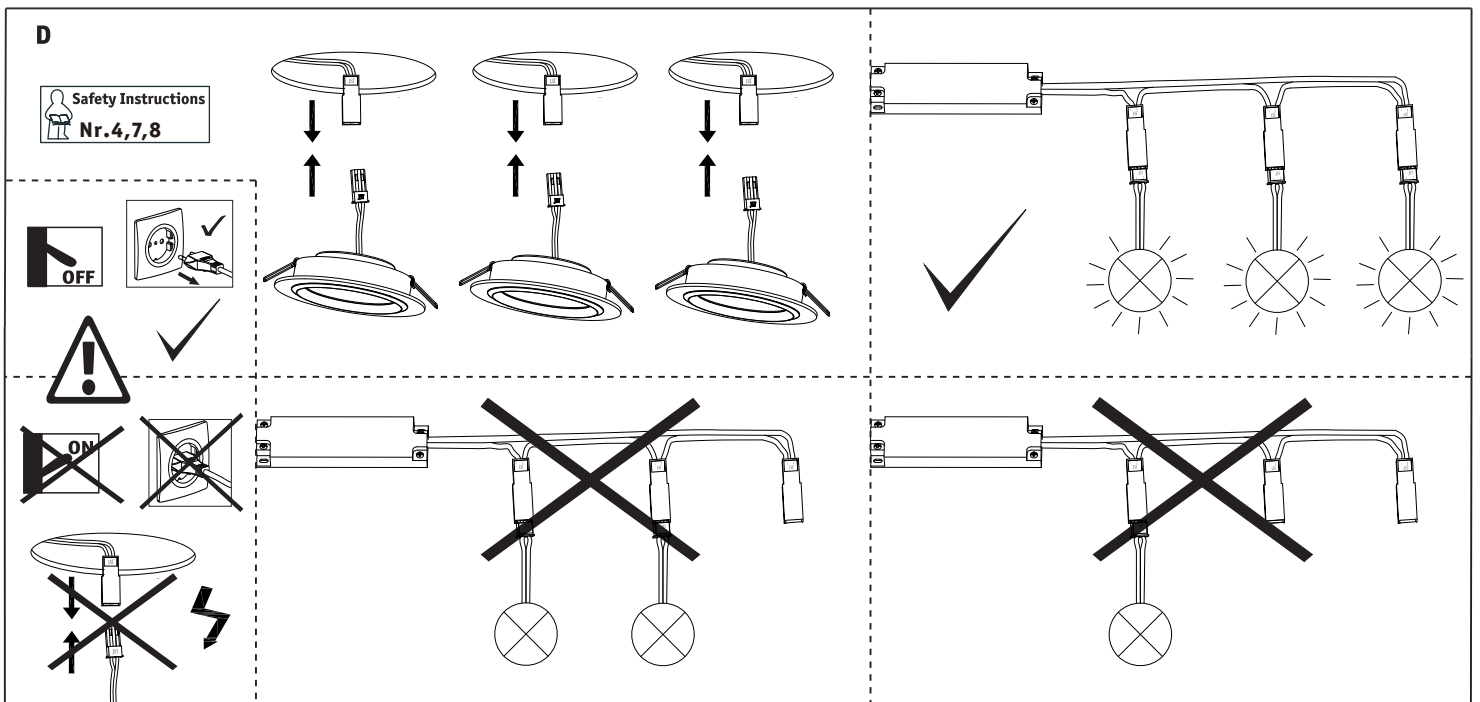
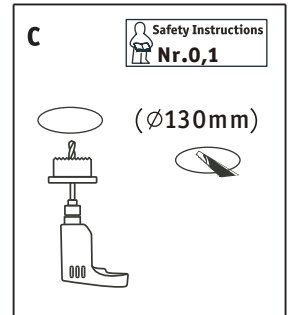
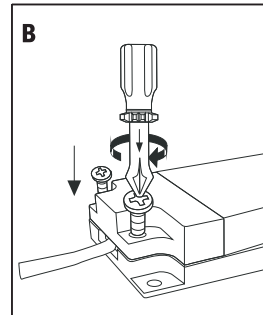
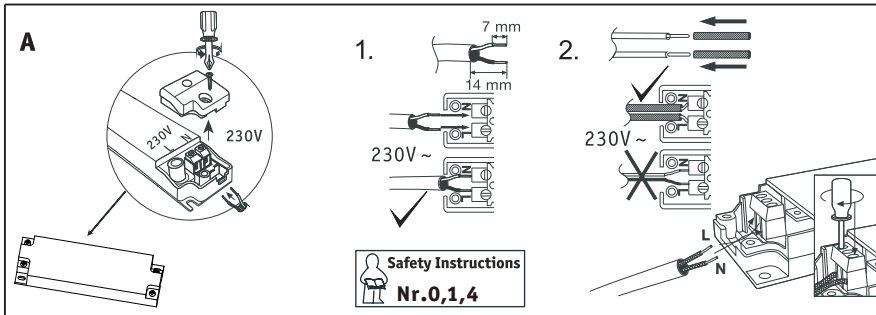
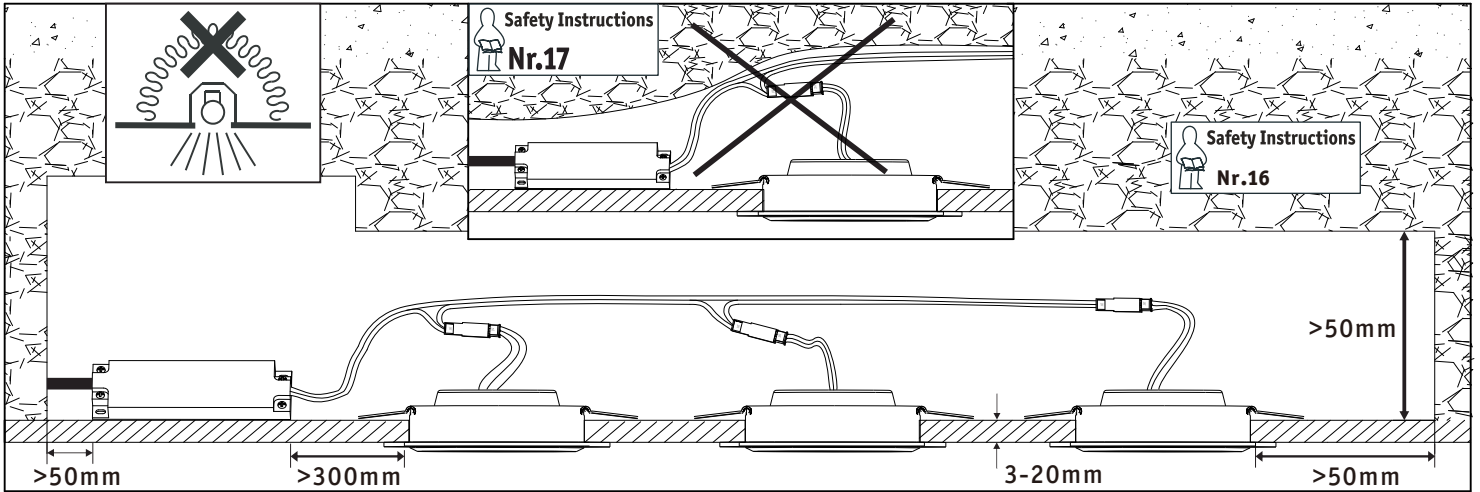
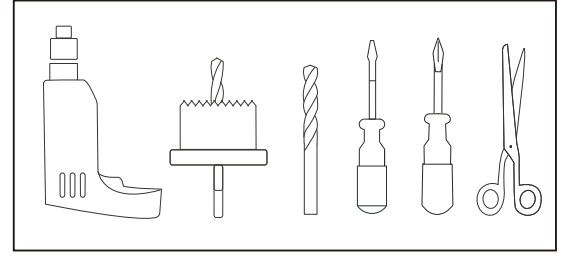
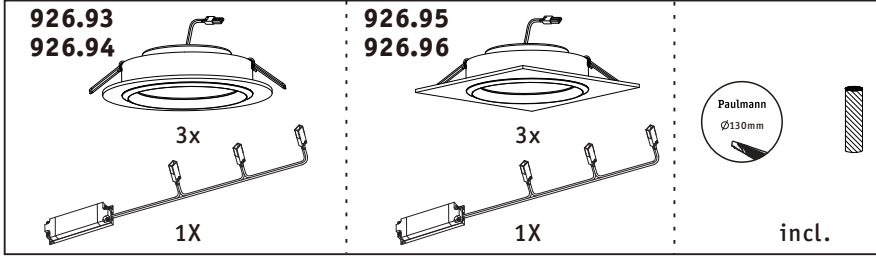
926.94

926.95

926.96

(+MA 173)

PSU 11/14



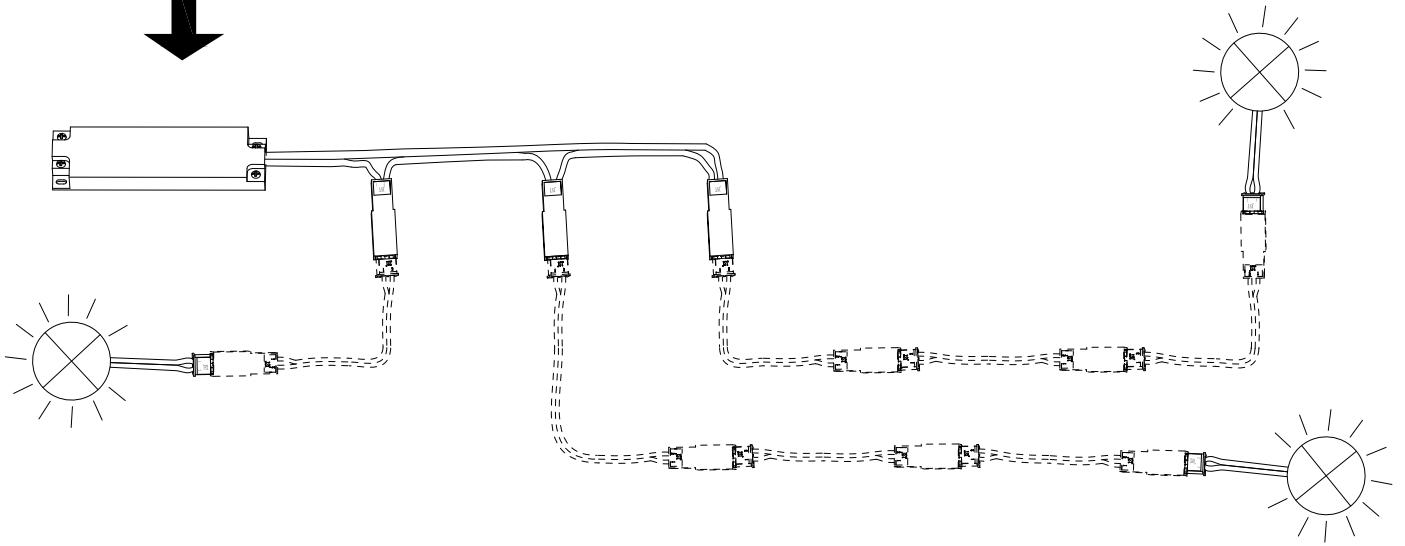
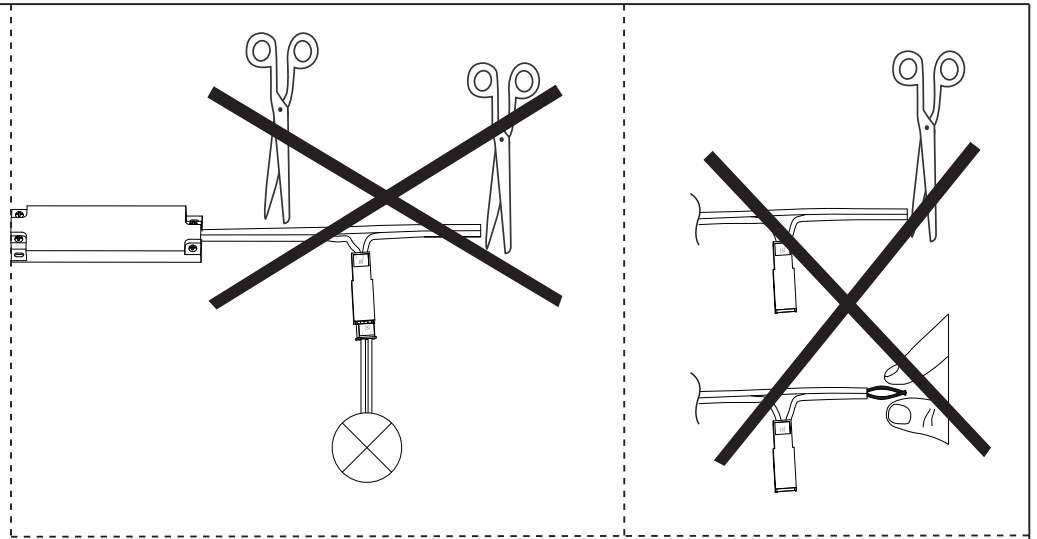
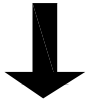
E



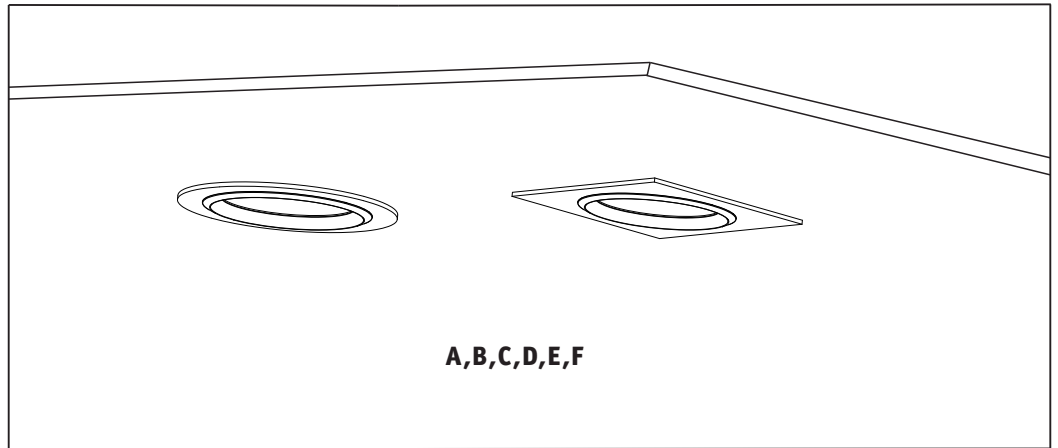
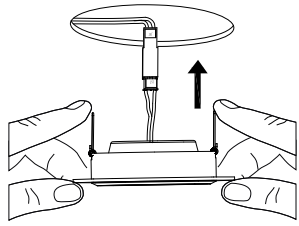
1m



Paulmann
Art.-Nr.233



F



A,B,C,D,E,F

