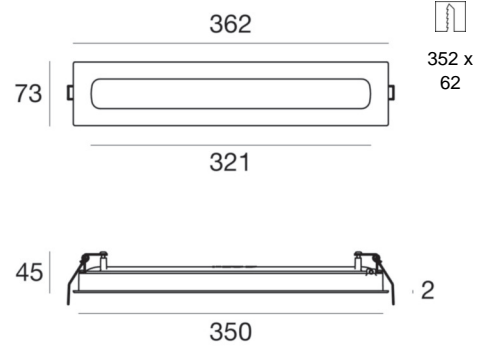




Downlights | topLED 22 W 600 mA | CRI 80
92434N00




Technical data	
Type	Frame
Installation position	Ceiling
Installation environment	Indoor
Light Source	LED
Optics	General Lighting
Power	22 W
Luminous flux (source)	3211 lm
Current intensity	600mA
CCT / Tone	4000 K
Colour rendering index	80 Ra
C.C. / C.V.	CC
Energy class	A
Safety class	3
IP	IP40
IK	IK05
Glow wire test	850°
Direct mounting on normally flammable surfaces	Yes
CE	Yes
ETL	No
Fire Rated (BS 476 PT21 compliant)	No
Operating temperature	-20°C / +50°C
Driver included	No
Induction	No
Emergency mode	No
Motion sensor	No
Directional	No
Tilting	No
Walk-over	No
Drive-over	No
Cable included	Yes
Cable length	1 m
Resin potting	No
Type of light emission	Single emission
Net weight	0.75 Kg


Finishing casing

Material	Aluminium
Colour	embossed white RAL 9003
Processing	Coating


Electronics

- 

99163
 DALI Push and Simply Dim Multi Power 190~250V AC / 180~275V DC

- 

99262
 1-10V N/O button Multi Power 190~250V AC / 180~275V DC

- 

99261
 On/Off Driver 180~300V AC

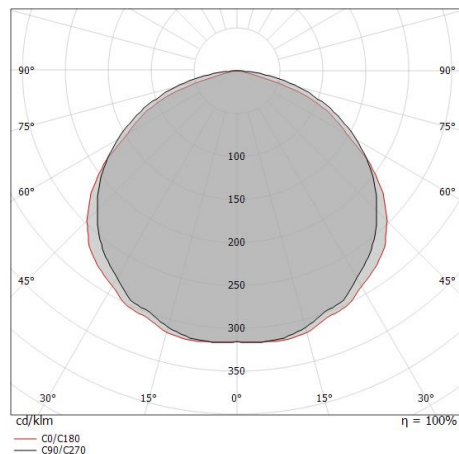
Downlights | topLED 22 W 600 mA | CRI 80
92434N00

Single emission downlights for indoor application. The natural white LED light source with a general lighting light distribution is composed of 144 topped LEDs with CCT of 4000 K and a CRI 80; the source luminous flux is 3211 lm, with a 146.0 lm/W nominal luminous efficacy.

The device body is made of aluminium and features a embossed white ral 9003 finish, processed by means of coating. The ingress protection degree is IP40; the total weight is of 0.75 kg. The power supply driver is not provided and is to be ordered separately.

The total absorbed power is 22 W. The power supply cable is included and features.

The device features protection class III and can be ceiling-mounted, with a 352 x 62 mm hole (in plasterboard).



Distance [m]	Cone diameter [m]	illuminance [lx]
0.5	1.76 1.64	E(0°) 1802 E(C90) 109 E(C0) 129
1.0	3.52 3.28	E(0°) 450 E(C90) 27 E(C0) 32
1.5	5.28 4.91	E(0°) 200 E(C90) 12 E(C0) 14
2.0	7.04 6.55	E(0°) 113 E(C90) 7 E(C0) 8
2.5	8.80 8.19	E(0°) 72 E(C90) 4 E(C0) 5
3.0	10.56 9.83	E(0°) 50 E(C90) 3 E(C0) 4

— C0/C180 (Half-peak divergence: 117.2°)
 — C90/C270 (Half-peak divergence: 120.8°)

Illuminotechnical Features	
Light Output Ratio (LOR)	44 %
Luminous flux (source)	3211 lm
Luminaire luminous flux	1427 lm
Consumption	26 W
Luminaire efficacy	54 lm/W
Colour temperature	4000 K
Standard Deviation of Colour Matching	2 Step MacAdam
Colour rendering index	80 Ra
Life / Failure Ratio	
L70 B20 C0 70000h (at Tj 65 °C Ta 25 °C)	

UGR	
X=4H Y=8H	S=0.25H
Reflection factor	70/50/20
UGR transversal	< 28
UGR axial	> 28

OPTICAL	
Light distribution simmetry	Symmetrical 2
C0/C180 optics	117°
C90/C270 optics	121°