

Safety Instructions

1, 2, 3, 4, 5, 6, 7, 10, 12, 13, 14, 15, 16,
17, 18, 19, 20, 22, 24, 28, 29, 31, 32, 33, 34


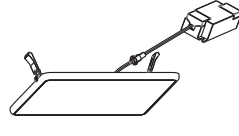
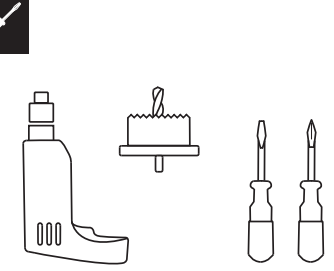
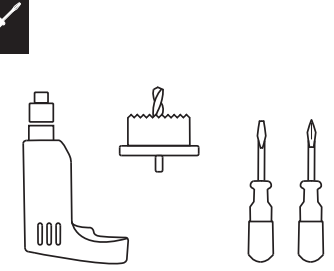


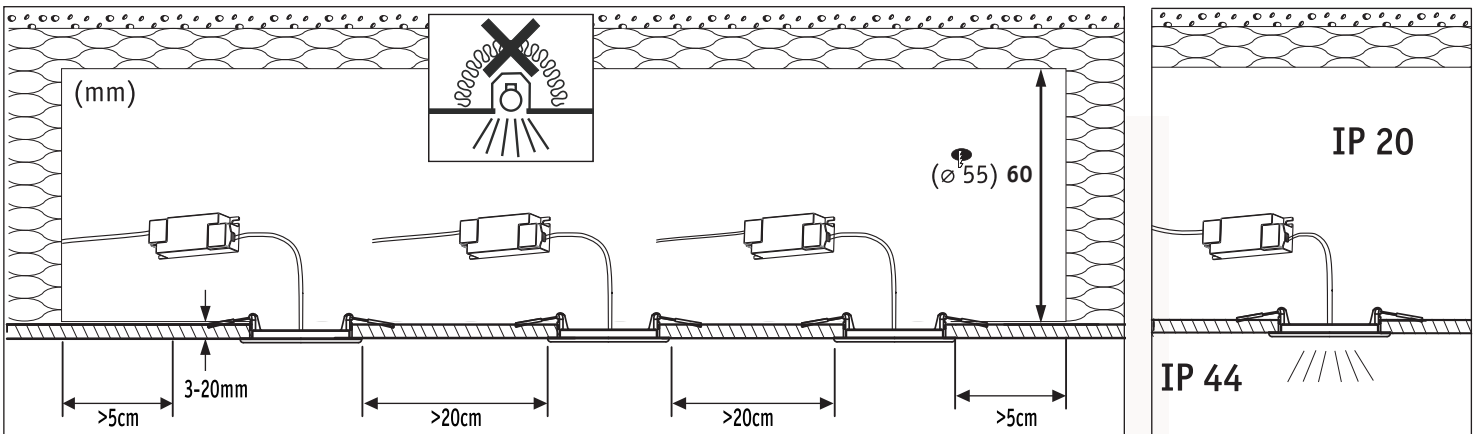
Info

www.paulmann.com

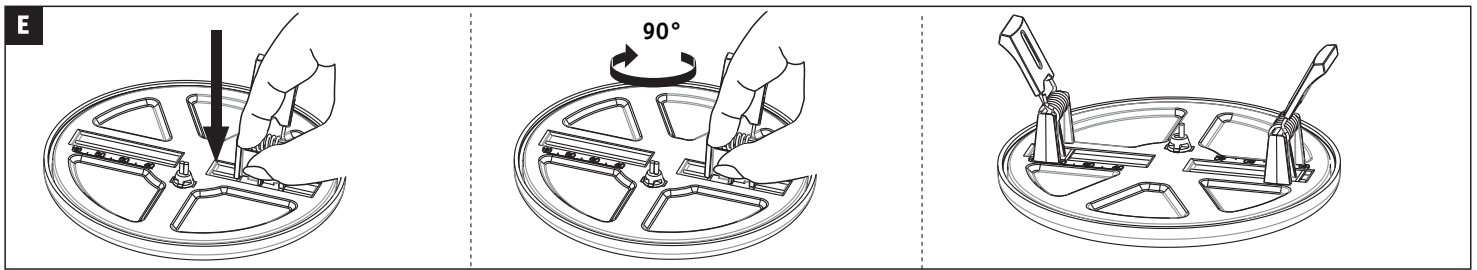
Paulmann Licht GmbH
Quezinger Feld 2
31832 Springe
Germany

www.paulmann.com

<p>Art.-Nr.: 923.87 923.90 923.93 923.96</p> <p>(+MA 326) PVI 04/20</p> 	<p>Art.-Nr.: 923.87 923.90</p>  <p>1x Incl. 2x</p>	<p>Art.-Nr.: 923.93 923.96</p>  <p>1x Incl. 2x</p>	
--	---	--	---



<p>A</p> <p>($\varnothing 45-55$ mm for 923.87/923.90/923.93/923.96)</p>	<p>B</p>	<p>C</p> <p>1 7mm 14mm</p> <p>2</p> <p>✓ ✗</p>	<p>D</p>
--	-----------------	---	-----------------



<p>F</p>	<p>G</p> <p>✗ OK</p>	<p>on</p>
-----------------	-----------------------------	-----------