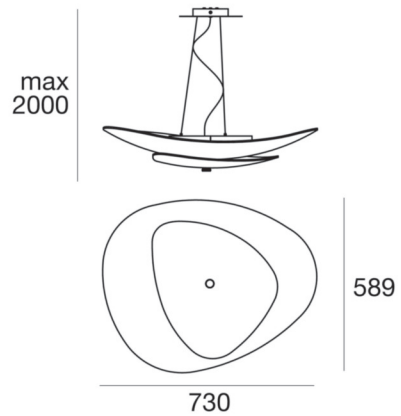




Pendant Luminaires | 220-240 V | 1xE27
90318



Technical data	
Installation position	Wall lights
Installation environment	Indoor
Lamp cap	1 x E27 Max 46W
Frequency	50-60 Hz
Optics	General Lighting
Light emission direction	downward and upward
Safety class	1
IP	IP20
Glow wire test	850°
Direct mounting on normally flammable surfaces	Yes
CE	Yes
ETL	No
Fire Rated (BS 476 PT21 compliant)	No
Induction	No
Emergency mode	No
Motion sensor	No
Directional	No
Tilting	No
Walk-over	No
Drive-over	No
Cable included	No
Resin potting	No
Type of light emission	Double emission

Finishing diffuser	
Material	Glass - Glass
Colour	white - gold
Processing	Sandblasting



Pendant Luminaires | 220-240 V | 1xE27
90318

Double emission pendant luminaires for indoor application. Compatibility:
LED lamp, halogen 46 W, compact fluo 20 W; lamp cap 1xE27.

The diffuser is made of glass with a sandblasting treatment the diffuser is
made of glass; the mounting frame is made of iron, with a embossed
white ral 9003 finish, processed by means of coating. The ingress
protection degree is IP20;

The device features protection class I and can be wall lights-mounted.

Illuminotechnical Features

Luminous flux (source)	700 lm
Colour temperature	2800 K
Colour rendering index	100 Ra