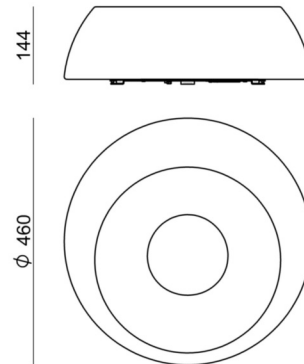


Ceiling Lights | 220-240 V | topLED 24 W 700 mA | CRI 90
8181



Technical data	
Designer	Pio e Tito Toso
Installation position	Wall lights - Ceiling
Installation environment	Indoor
Light Source	LED
Optics	General Lighting
Light emission direction	downward and upward
Power	24 W
Luminous flux (source)	2784 lm
Frequency	60 - 50 Hz
CCT / Tonalità	3000 K
Colour rendering index	90 Ra
Safety class	1
IP	IP20
Glow wire test	850°
Direct mounting on normally flammable surfaces	Yes
CE	Yes
ETL	No
Fire Rated (BS 476 PT21 compliant)	No
Driver included	Driver
Dimmable article	Phase cut
Induction	No
Emergency mode	No
Motion sensor	No
Directional	No
Tilting	No
Walk-over	No
Drive-over	No
Cable included	No
Resin potting	No
Type of light emission	Double emission
Protezione scariche elettrostatiche	No
Protezione surge	No

Finishing diffuser	
Material	PE
Colour	neutral

Ceiling Lights | 220-240 V | topLED 24 W 700 mA | CRI 90 8181

Double emission ceiling lights for indoor application. The warm white LED light source with a general lighting light distribution is composed of 40 topped LEDs with CCT of 3000 K and a CRI 90; the source luminous flux is 2784 lm, with a 116.0 lm/W nominal luminous efficacy and an operating lifetime (L80) of 80000 hours.

The diffuser is made of pe; the mounting frame is made of iron, with a embossed white ral 9003 finish, processed by means of coating. The ingress protection degree is IP20;

The total absorbed power is 24 W.

The device features protection class I and can be wall lights or ceiling-mounted.

Illuminotechnical Features

Light Output Ratio (LOR)	73 %
Luminous flux (source)	2784 lm
Luminaire luminous flux	2036 lm
Consumption	24 W
Luminaire efficacy	84 lm/W
Colour temperature	3000 K
Standard Deviation of Colour Matching	3 Step MacAdam
Colour rendering index	90 Ra

Life / Failure Ratio

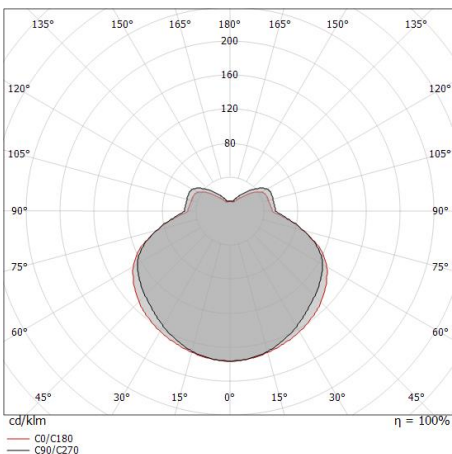
L80 B20 C0 80000h

UGR

X=4H Y=8H	S=0.25H
Reflection factor	70/50/20
UGR transversal	< 25
UGR axial	< 25

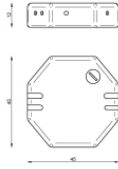
OPTICAL

Light distribution simmetry	Symmetrical
Optica C0/C180	151°



Distance [m]	Cone diameter [m]	Illuminance [lx]	E(0°)	E(C90)	E(C0)
0.5	3.92 3.84	1439 11 12	75.7°	75.4°	75.4°
1.0	7.85 7.68	360 3 3	75.7°	75.4°	75.4°
1.5	11.77 11.52	160 1 1	75.7°	75.4°	75.4°
2.0	15.69 15.36	90 1 1	75.7°	75.4°	75.4°
2.5	19.62 19.20	58 0 0	75.7°	75.4°	75.4°
3.0	23.54 23.03	40 0 0	75.7°	75.4°	75.4°

— C0/C180 (Half-peak divergence: 150.8°)
— C90/C270 (Half-peak divergence: 151.4°)



Dimmer
PUSH DIM, 220-240V

Code
KIT0026



Dimmer
Bluetooth, 85-240V

Code
KIT0080