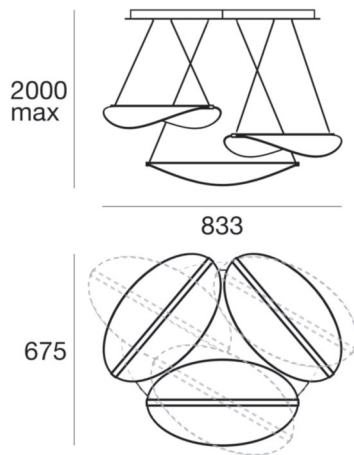


Diphy_P



Pendand Luminaires | 220-240 V | topLED 44 W 1400 mA | DALI | CRI 90

8168



Technical data	
Collection	ma[&]de
Installation position	Ceiling
Installation environment	Indoor
Light Source	LED
Circuit structure	topLED
Optic	Diffused
Light emission direction	downward
Power	42 W
Luminous flux (source)	5730 lm
	60 - 50 Hz
CCT / Tonalità	3000 K
Colour rendering index	90 Ra
Safety class	1
IP	IP20
Optical compartment IP	IP40
Glow wire test	650°
Operating temperature	70 °C
Direct mounting on normally flammable surfaces	Yes
CE	Yes
ETL	No
Driver included	Yes
Dimmable article	DALI
Emergency mode	No
Directional	Yes
Tilting	No
Walk-over	No
Drive-over	No
Cable included	No
Resin potting	No

Finishing casing	
Material	Aluminium
Colour	embossed white RAL 9003
Processing	Coating

Finishing diffuser	
Material	PMMA
Colour	transparent
Processing	Laser engravings

Finishing mounting frame	
Material	Iron
Colour	embossed white RAL 9003
Processing	Coating



Pendant Luminaires | 220-240 V | topLED 44 W 1400 mA | DALI | CRI 90
8168

Double emission pendant luminaires for indoor application. The warm white LED light source with a diffused light distribution is composed of 600 topLED LEDs with CCT of 3000 K and a CRI 90; the source luminous flux is 5730 lm, with a 136.4 lm/W nominal luminous efficacy and an operating lifetime (L80) of 80000 hours.

The device body is made of aluminium and features a embossed white ral 9003 finish, processed by means of coating; the diffuser is made of pmma with a laser engravings treatment; the mounting frame is made of iron, with a embossed white ral 9003 finish, processed by means of coating. The ingress protection degree is IP20; the total weight is of kg. The power supply driver is included in the delivery.

The total absorbed power is 42 W.

The device features protection class I and can be ceiling-mounted.

Illuminotechnical Features	
Luminous flux (source)	5730 lm
Colour temperature	3000 K
Standard Deviation of Colour Matching	3 Step MacAdam
Colour rendering index	90 Ra