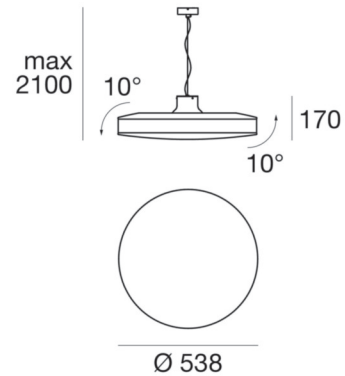




Pendant Luminaires | 220-240 V | topLED 29 W | CRI 90
7829



Technical data	
Collection	linealight
Installation position	Ceiling
Installation environment	Indoor
Light Source	LED
Circuit structure	topLED
Optic	Diffused
Light emission direction	downward and
Power	29 W
Luminous flux (source)	3730 lm
Frequency	50 - 60 Hz
CCT / Tonalità	3000 K
Colour rendering index	90 Ra
AC / DC	AC
Safety class	1
IP	IP20
Glow wire test	850°
Operating temperature	70 °C
Direct mounting on normally flammable surfaces	Yes
CE	Yes
ETL	No
Driver included	Yes
Induzione	No
Emergency mode	No
Directional	No
Tilting	Yes
Walk-over	No
Drive-over	No
Cable included	No
Resin potting	No

Finishing casing	
Material	Fabric
Colour	white
Finishing diffuser	
Material	PE
Colour	neutral
Finishing mounting frame	
Material	Iron
Colour	embossed white RAL 9003
Processing	Coating



Pendant Luminaires | 220-240 V | topLED 29 W | CRI 90
7829

Double emission pendant luminaires for indoor application. The warm white LED light source with a diffused light distribution is composed of 156 topLED LEDs with CCT of 3000 K and a CRI 90; the source luminous flux is 3730 lm, with a 128.6 lm/W nominal luminous efficacy and an operating lifetime (L80) of 80000 hours.

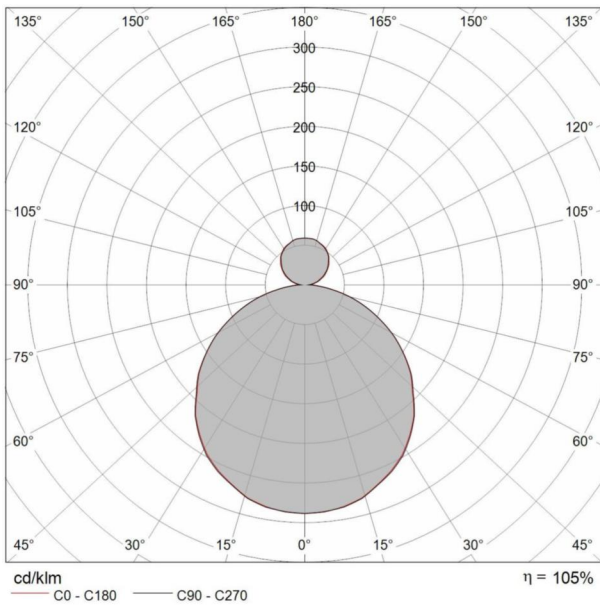
The device body is made of fabric and features a white finish; the diffuser is made of pe; the mounting frame is made of iron, with a embossed white ral 9003 finish, processed by means of coating. The ingress protection degree is IP20; the total weight is of 4.940 kg. The power supply driver is included in the delivery.

The total absorbed power is 29 W.

The device features protection class I and can be ceiling-mounted.

Illuminotechnical Features	
Light Output Ratio (LOR)	55 %
Luminous flux (source)	3730 lm
Luminaire luminous flux	2060 lm
Consumption	29 W
Luminaire efficacy	70 lm/W
Colour temperature	3000 K
Standard Deviation of Colour Matching	3 Step MacAdam
Colour rendering index	90 Ra

UGR	
X=4H Y=8H	S=0.25H
Reflection factor	70/50/20
UGR transversal	< 16
UGR axial	< 16



Abstand [m]	Cone diameter [m]	Illuminance [lx]
0.5	1.53	E(0°) 2377
	1.53	E(C90) 56.9° 194
	1.53	E(C0) 56.8° 196
1.0	3.07	E(0°) 594
	3.06	E(C90) 56.9° 49
	3.06	E(C0) 56.8° 49
1.5	4.60	E(0°) 264
	4.58	E(C90) 56.9° 22
	4.58	E(C0) 56.8° 22
2.0	6.14	E(0°) 149
	6.11	E(C90) 56.9° 12
	6.11	E(C0) 56.8° 12
2.5	7.67	E(0°) 95
	7.64	E(C90) 56.9° 8
	7.64	E(C0) 56.8° 8
3.0	9.20	E(0°) 66
	9.17	E(C90) 56.9° 5
	9.17	E(C0) 56.8° 5

Abstand [m] Cone diameter [m] Illuminance [lx]

— C0 - C180 (Hal beam angle: 113.6°)

— C90 - C270 (Hal beam angle: 113.8°)