



Safety Instructions



0,1,2,4,6,7,8,9,11,
15,22,25,27



Info Hotline

+49 (0) 5041 998 389

Mon. - Do. 7⁰⁰ - 20⁰⁰

Fr. 7⁰⁰ - 17⁰⁰

Paulmann Licht GmbH
31832 Springe / Germany
www.paulmann.com

Art.-Nr.:

703.43

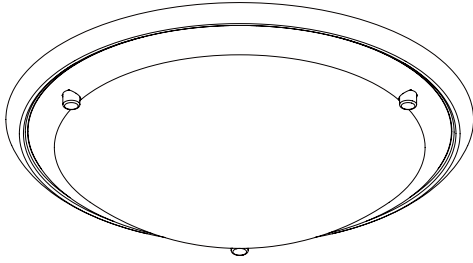
703.44

703.45

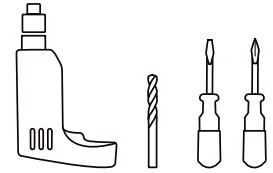
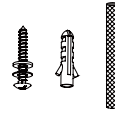
(+MA 173)

PJH 09/12

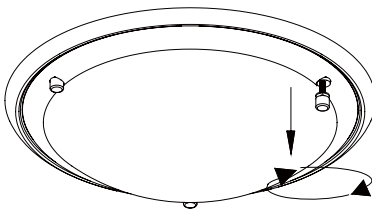
1x



incl.



A



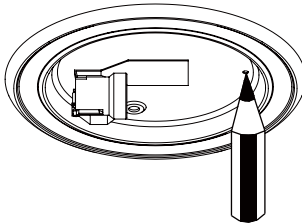
B



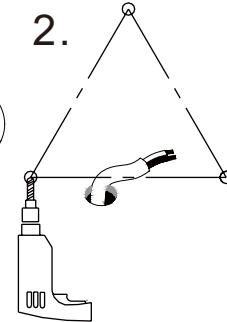
Safety Instructions

Nr. 0,1,2

1.

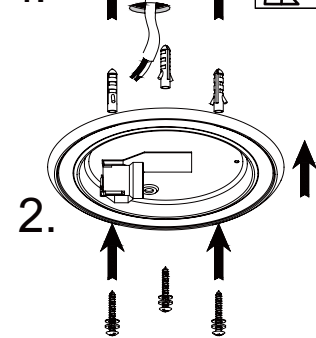


2.



C

1.



Safety Instructions

Nr. 0,1

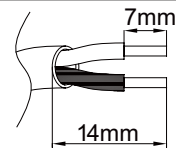
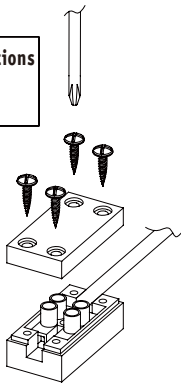
2.

D

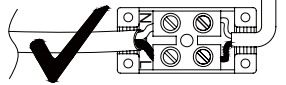


Safety Instructions

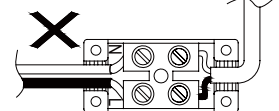
Nr. 0,1,4



230V



230V

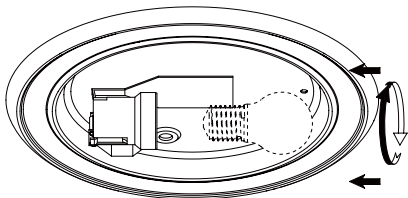


E



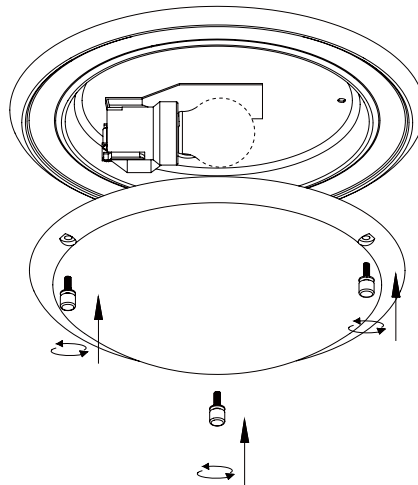
Safety Instructions

Nr. 7,8



Art.No.
52W 55mm E27 400.28

F



A,B,C,D,E,F

F

