



1,2,3,4,5,6,7,8,12,14,17,
18,20,21,26,28,33,34



+49 (0) 5041 998 389

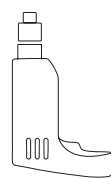
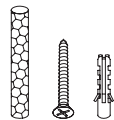
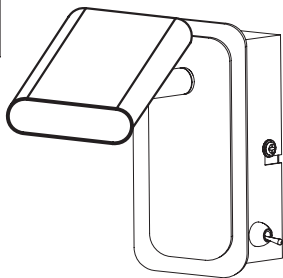
Mon.-Do. 7⁰⁰ - 20⁰⁰

Fr. 7⁰⁰ - 17⁰⁰

Paulmann Licht
GmbH Quezinger
Feld 2
31832 Springe
Germany

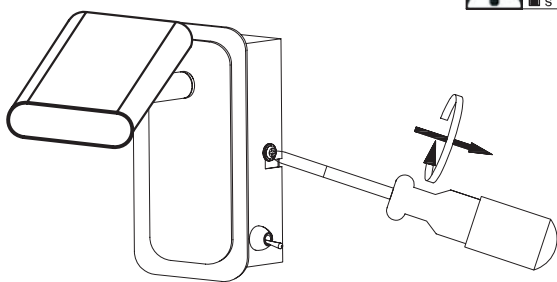
www.paulmann.com

Art.-Nr.: 66634
(+MA 326) PHO 03/16



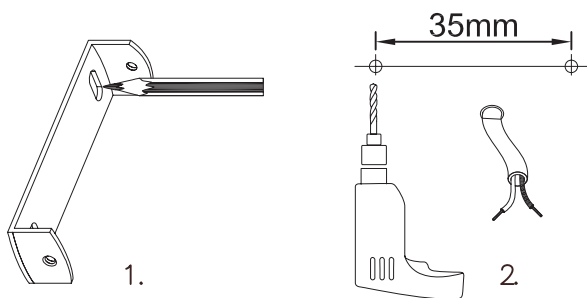
A

Safety Instructions
s Nr. 5

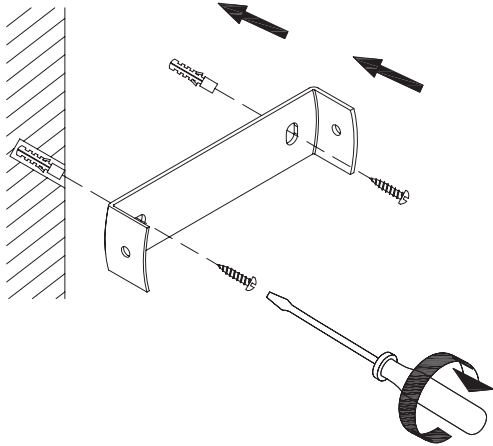


B

Safety Instructions
s Nr. 2,5,7

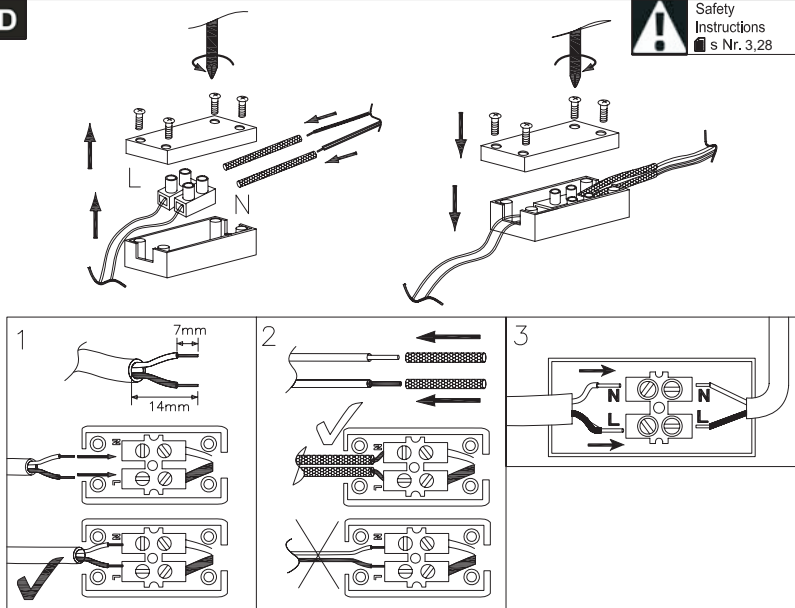


C

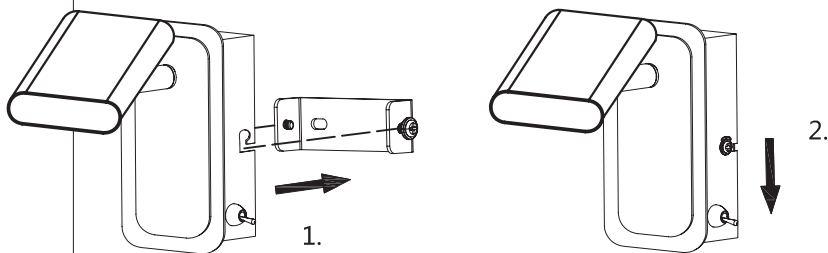


D

Safety Instructions
s Nr. 3,28



E



F

