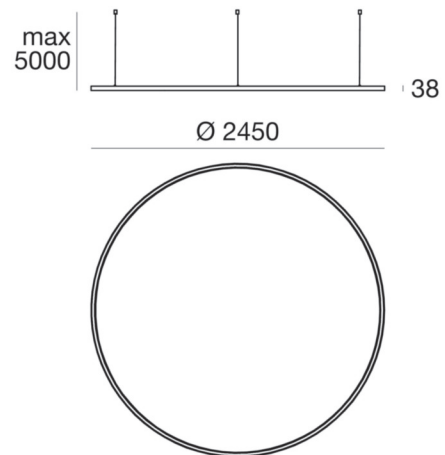


Tour_PU4



Pendant Luminaires | topLED 114 W 24 V | CRI 80
64695W00



| Technical data | |
|--|---------------|
| Installation position | Ceiling |
| Installation environment | Indoor |
| Light Source | LED |
| Optic | Diffused |
| Light emission direction | upward |
| Power | 114 W |
| Luminous flux (source) | 15588 lm |
| Tensione | 24V |
| CCT / Tonaltà | 3000 K |
| Colour rendering index | 80 Ra |
| C.C. / C.V. | CV |
| Safety class | 3 |
| IP | IP40 |
| Glow wire test | 850° |
| Direct mounting on normally flammable surfaces | Yes |
| CE | Yes |
| ETL | No |
| Operating temperature | -40°C / +85°C |
| Driver included | No |
| Induzione | No |
| Emergency mode | No |
| Motion sensor | No |
| Directional | No |
| Tilting | No |
| Walk-over | No |
| Drive-over | No |
| Cable included | No |
| Resin potting | No |

Finishing casing

| | |
|------------|-----------|
| Material | Aluminium |
| Colour | nickel |
| Processing | Brushing |

Electronics



Pendant Luminaires | topLED 114 W 24 V | CRI 80
64695W00

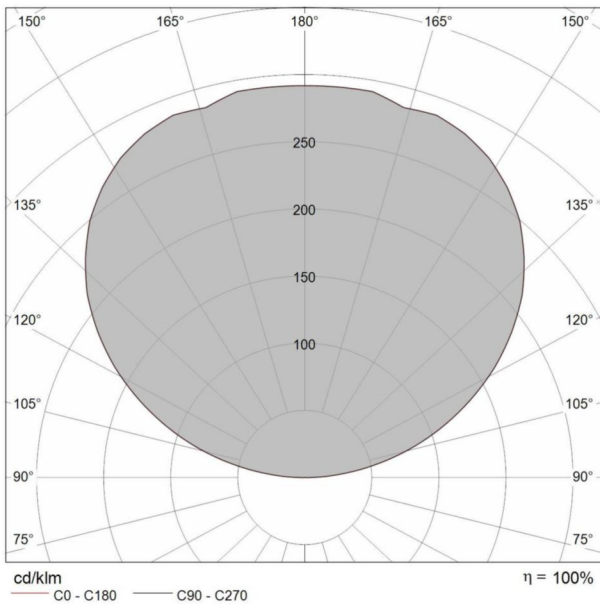
Single emission pendant luminaires for indoor application. The warm white LED light source with a diffused light distribution is composed of 588 topLED LEDs with CCT of 3000 K and a CRI 80; the source luminous flux is 15588 lm, with a 136.7 lm/W nominal luminous efficacy.

The device body is made of aluminium and features a nickel finish, processed by means of brushing. The ingress protection degree is IP40; The power supply driver is not provided and is to be ordered separately.

The total absorbed power is 114 W.

The device features protection class III and can be ceiling-mounted.

| Illuminotechnical Features | |
|----------------------------|------------|
| Light Output Ratio (LOR) | 42 % |
| Luminous flux (source) | 15588 lm |
| Luminaire luminous flux | 6692.80 lm |
| Consumption | 88 W |
| Luminaire efficacy | 76 lm/W |
| Colour temperature | 3000 K |
| Colour rendering index | 80 Ra |



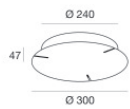
| Abstand [m] | Cone diameter [m] | E(180°) [lx] | E(C0) [lx] |
|-------------|-------------------|--------------|------------|
| 3.0 | 11.78 | 217 | 10 |
| 2.5 | 9.81 | 312 | 15 |
| 2.0 | 7.85 | 488 | 23 |
| 1.5 | 5.89 | 867 | 41 |
| 1.0 | 3.93 | 1952 | 92 |
| 0.5 | 1.96 | 7807 | 368 |

Illuminance [lx]
 C0 - C180 (Hal beam angle: 126.0°)



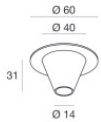
Fixing base

Code
65154



Fixing base

Code
65155



Suspensions

Code
64671