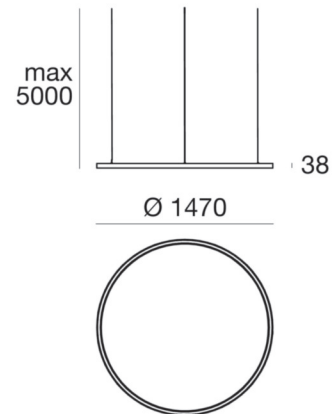


Tour_PU3






Pendant Luminaires | topLED 70 W 24 V | CRI 80
64693W00



Technical data	
Installation position	Ceiling
Installation environment	Indoor
Light Source	LED
Optic	Diffused
Light emission direction	upward
Power	70 W
Luminous flux (source)	9355 lm
Tensione	24V
CCT / Tonalità	3000 K
Colour rendering index	80 Ra
C.C. / C.V.	CV
Safety class	3
IP	IP40
Glow wire test	850°
Direct mounting on normally flammable surfaces	Yes
CE	Yes
ETL	No
Operating temperature	-40°C / +85°C
Driver included	No
Induzione	No
Emergency mode	No
Motion sensor	No
Directional	No
Tilting	No
Walk-over	No
Drive-over	No
Cable included	No
Resin potting	No

Finishing casing	
Material	Aluminium
Colour	bronze
Processing	Coating

Electronics	
	Switching Driver - art.
	DALI - 1-10V 1 art.
	N/O button 1 art.



Pendant Luminaires | topLED 70 W 24 V | CRI 80
64693W00

Single emission pendant luminaires for indoor application. The warm white LED light source with a diffused light distribution is composed of 336 topLED LEDs with CCT of 3000 K and a CRI 80; the source luminous flux is 9355 lm, with a 133.6 lm/W nominal luminous efficacy.

The device body is made of aluminium and features a bronze finish, processed by means of coating. The ingress protection degree is IP40; the total weight is of 6 kg. The power supply driver is not provided and is to be ordered separately.

The total absorbed power is 70 W.

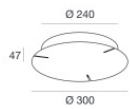
The device features protection class III and can be ceiling-mounted.

Illuminotechnical Features	
Light Output Ratio (LOR)	42 %
Luminous flux (source)	9355 lm
Luminaire luminous flux	4016.68 lm
Consumption	51 W
Luminaire efficacy	78 lm/W
Colour temperature	3000 K
Colour rendering index	80 Ra



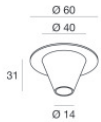
Fixing base

Code
65148



Fixing base

Code
65149



Suspensions

Code
64673