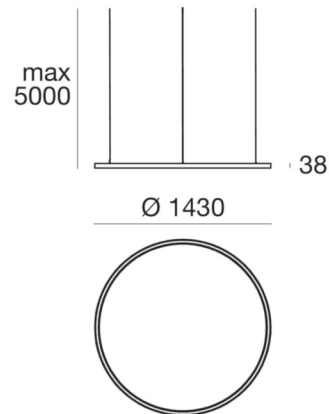




Pendant Luminaires | topLED 70 W 24 V | CRI 80  
64572W00



Technical data	
Type	Surface
Installation position	Ceiling
Installation environment	Indoor
Light Source	LED
Optics	General Lighting
Light emission direction	downward
Power	70 W
Luminous flux (source)	9355 lm
Voltage	24V
CCT / Tone	3000 K
Colour rendering index	80 Ra
C.C. / C.V.	CV
Energy class	A
Safety class	3
IP	IP40
Glow wire test	850°
Direct mounting on normally flammable surfaces	Yes
CE	Yes
ETL	No
Fire Rated (BS 476 PT21 compliant)	No
Operating temperature	-20°C / +50°C
Driver included	No
Induction	No
Emergency mode	No
Motion sensor	No
Directional	No
Tilting	No
Walk-over	No
Drive-over	No
Cable included	Yes
Cable length	5 m
Resin potting	No
Type of light emission	Single emission
Net weight	7 Kg
Electrostatic discharge protection	No
Surge protection	No
Optics technology	Dot free

### Finishing casing

Colour embossed white RAL 9003


### Finishing diffuser

Colour opaline

### Electronics

 99077  
N/O button Multi Channel 3ch. 24V DC 216 W

 99074  
DALI 1-10V Multi Channel 3ch. 24V DC 216 W

 99374  
On/Off Driver 198-264V AC / 185-275V DC 75 W

### Cables Elettrificazione

Cable connector No

Cable connector No

### Cables Sospensione

Max cable length 5000 mm



## Pendant Luminaires | topLED 70 W 24 V | CRI 80 64572W00

Single emission pendant luminaires for indoor application. The warm white LED light source with a general lighting light distribution is composed of 336 topped LEDs with CCT of 3000 K and a CRI 80; the source luminous flux is 9355 lm, with a 133.6 lm/W nominal luminous efficacy.

The device body and features a embossed white ral 9003 finish. The ingress protection degree is IP40; the total weight is of 7 kg. The power supply driver is not provided and is to be ordered separately.

The total absorbed power is 70 W. The power supply cable is included and features.

The device features protection class III and can be ceiling-mounted.

### Illuminotechnical Features

Light Output Ratio (LOR)	46 %
Luminous flux (source)	9355 lm
Luminaire luminous flux	4327 lm
Consumption	70 W
Luminaire efficacy	61 lm/W
Colour temperature	3000 K
Standard Deviation of Colour Matching	2 Step MacAdam
Colour rendering index	80 Ra

### Life / Failure Ratio

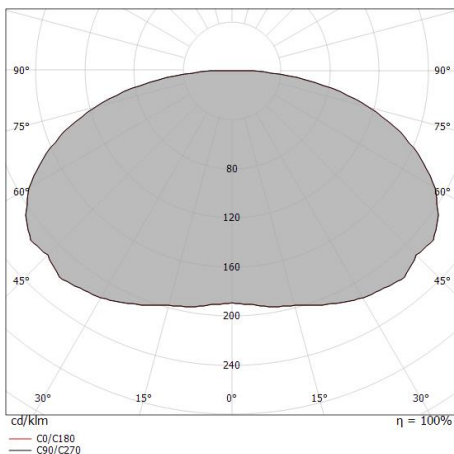
L70 B20 C0 70000h (at Tj 65 °C Ta 25 °C)

### UGR

X=4H   Y=8H	S=0.25H
Reflection factor	70/50/20
UGR transversal	< 22
UGR axial	< 22

### OPTICAL

Light distribution simmetry	Symmetrical
C0/C180 optics	152°



Distance [m]	Cone diameter [m]	Illuminance [lx]
0.5	4.01	E(0°) 3273 E(C0) 27
1.0	8.02	E(0°) 818 E(C0) 7
1.5	12.03	E(0°) 364 E(C0) 3
2.0	16.04	E(0°) 205 E(C0) 2
2.5	20.05	E(0°) 131 E(C0) 1
3.0	24.06	E(0°) 91 E(C0) 1

Distance [m]      Cone diameter [m]      Illuminance [lx]  
 — C0/C180 (Half-peak divergence: 152.0°)

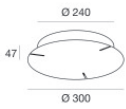


| Pendant Luminaires | Accessories  
**64572W00**



Suspensions

**Code**  
64575



Suspensions

**Code**  
64578

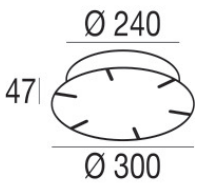


Suspensions

**Code**  
64586

Suspensions

**Code**  
65412



Suspensions

**Code**  
65418