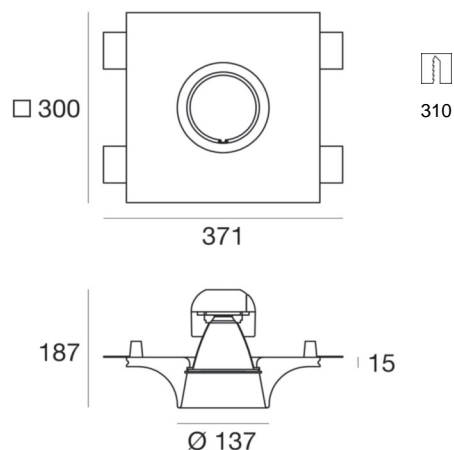
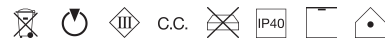


# Gypsum\_O4



Downlights | arrayLED 18 W 500 mA | CRI 80  
60827W45



Technical data	
Type	Trimless
Installation position	Ceiling
Installation environment	Indoor
Light Source	LED
Optics	Flood
Power	18 W
Luminous flux (source)	2611 lm
Current intensity	500mA
CCT / Tone	3000 K
Colour rendering index	80 Ra
C.C. / C.V.	CC
Safety class	3
IP	IP40
Glow wire test	850°
Direct mounting on normally flammable surfaces	Yes
CE	Yes
ETL	No
Fire Rated (BS 476 PT21 compliant)	No
Operating temperature	-40°C / +100°C
Driver included	No
Induction	No
Emergency mode	No
Directional	No
Tilting	No
Walk-over	No
Drive-over	No
Cable included	No
Resin potting	No
Type of light emission	Single emission
Net weight	3.844 Kg

## Finishing casing

Material	plaster
Colour	white

## Finishing diffuser

Material	Glass
Colour	transparent

## Electronics

62450  
On/Off Driver 100~240V AC



62433  
1-10V Multi Power 99~264V AC / 10~280V DC

62434  
DALI Multi Power 99~264V AC / 176~264V DC



Downlights | arrayLED 18 W 500 mA | CRI 80  
**60827W45**

Single emission downlights for indoor application. The warm white LED light source with a flood light distribution is composed of 1 arrayed LEDs with CCT of 3000 K and a CRI 80; the source luminous flux is 2611 lm, with a 145.1 lm/W nominal luminous efficacy.

The device body is made of plaster and features a white finish; the diffuser is made of glass. The ingress protection degree is IP40; the total weight is of 3.844 kg. The power supply driver is not provided and is to be ordered separately.

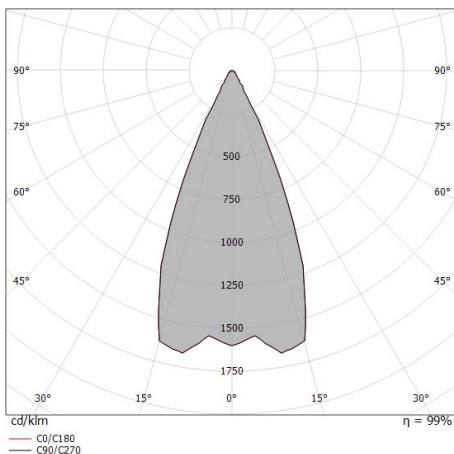
The total absorbed power is 18 W.

The device features protection class III and can be ceiling-mounted, with a 310 x 310 mm hole (in plasterboard).

Illuminotechnical Features	
Light Output Ratio (LOR)	51 %
Luminous flux (source)	2611 lm
Luminaire luminous flux	1334.29 lm
Consumption	19 W
Luminaire efficacy	70 lm/W
Colour temperature	3000 K
Standard Deviation of Colour Matching	3 Step MacAdam
Colour rendering index	80 Ra

UGR	
X=4H   Y=8H	S=0.25H
Reflection factor	70/50/20
UGR transversal	< 16
UGR axial	< 16

OPTICAL	
Light distribution simmetry	Symmetrical
C0/C180 optics	46°



Distance [m]	Cone diameter [m]	Illuminance [lx]
0.5	0.42	E(0°) 8554 E(C0) 3489
1.0	0.84	E(0°) 2139 E(C0) 872
1.5	1.27	E(0°) 950 E(C0) 388
2.0	1.69	E(0°) 535 E(C0) 218
2.5	2.11	E(0°) 342 E(C0) 140
3.0	2.53	E(0°) 238 E(C0) 97

Distance [m] Cone diameter [m] Illuminance [lx]  
 — C0/C180 (Half-peak divergence: 45.8°)



Gypsum\_O4 | Downlights | Accessories  
**60827W45**



Thick - KIT thicknesses for installation on plasterboard

**Code**  
60830