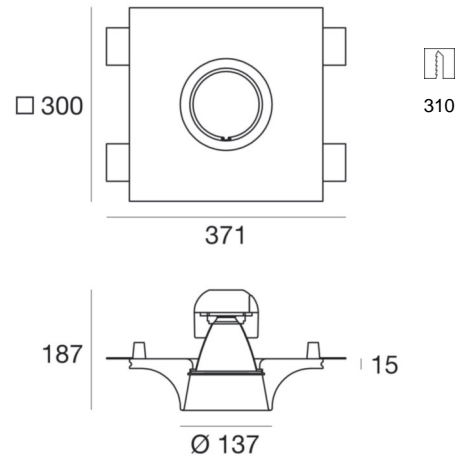



Gypsum_O4



Downlights | arrayLED 18 W 500 mA | CRI 80
60827N45



Technical data	
Installation position	Ceiling
Installation environment	Indoor
Light Source	LED
Optic	45°
Power	18 W
Luminous flux (source)	2697 lm
Current intensity	500mA
CCT / Tonalità	4000 K
Colour rendering index	80 Ra
C.C. / C.V.	CC
Safety class	3
IP	IP40
Glow wire test	850°
Direct mounting on normally flammable surfaces	Yes
CE	Yes
ETL	No
Operating temperature	-40°C / +100°C
Driver included	No
Emergency mode	No
Directional	No
Tilting	No
Walk-over	No
Drive-over	No
Cable included	No
Resin potting	No

Finishing casing	
Material	plaster
Colour	white
Finishing diffuser	
Material	Glass
Colour	transparent
Electronics	
	DALI
	1-10V
	On/Off Driver



Downlights | arrayLED 18 W 500 mA | CRI 80
60827N45

Single emission downlights for indoor application. The natural white LED light source with a 45° light distribution is composed of 1 arrayLEDs with CCT of 4000 K and a CRI 80; the source luminous flux is 2697 lm, with a 149.8 lm/W nominal luminous efficacy.

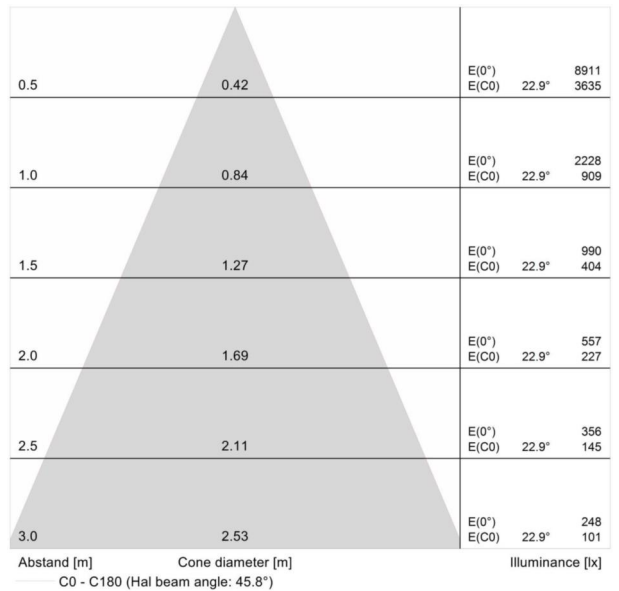
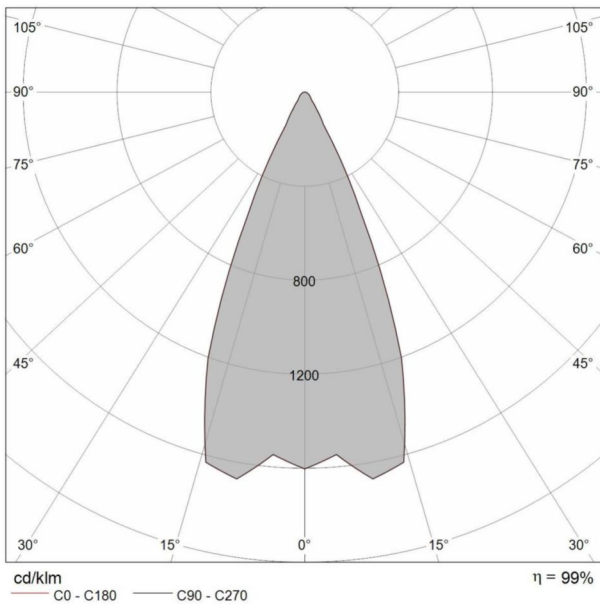
The device body is made of plaster and features a white finish; the diffuser is made of glass. The ingress protection degree is IP40; the total weight is of 3.844 kg. The power supply driver is not provided and is to be ordered separately.

The total absorbed power is 18 W.

The device features protection class III and can be ceiling-mounted, with a 310 x 310 mm hole (in plasterboard).

Illuminotechnical Features	
Light Output Ratio (LOR)	51 %
Luminous flux (source)	2697 lm
Luminaire luminous flux	1390 lm
Consumption	19 W
Luminaire efficacy	73 lm/W
Colour temperature	4000 K
Standard Deviation of Colour Matching	3 Step MacAdam
Colour rendering index	80 Ra

UGR	
X=4H Y=8H	S=0.25H
Reflection factor	70/50/20
UGR transversal	< 16
UGR axial	< 16





Gypsum_O4 | Downlights | Accessories
60827N45



Thick - KIT thicknesses for installation on plasterboard

Code
60830