



### Safety Instructions

0, 1, 2, 4, 6, 7, 10, 11, 12, 15, 16, 22,



### Info Hotline

+49 (0) 5041 998 389



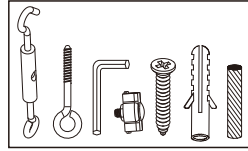
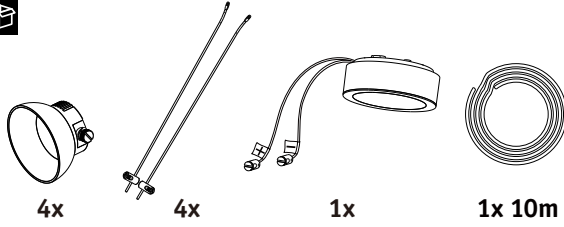
Mon.- Do. 7<sup>00</sup>-20<sup>00</sup>  
Fr. 7<sup>00</sup>-17<sup>00</sup>

Paulmann Licht GmbH  
Quezinger Feld 2  
31832 Springe  
Germany

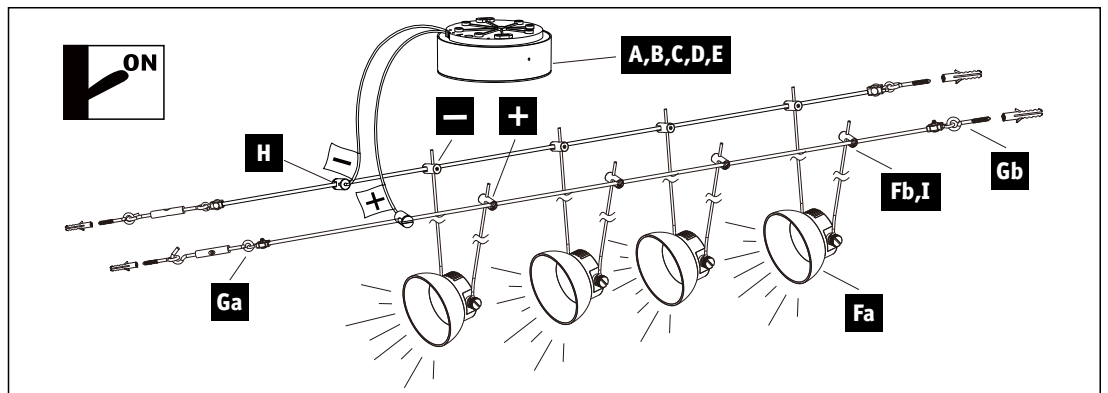
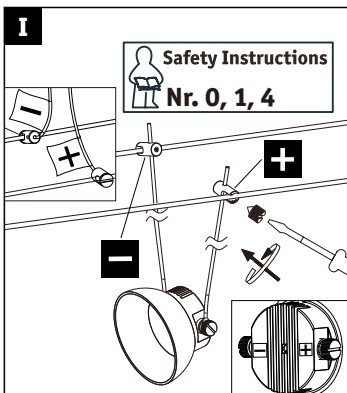
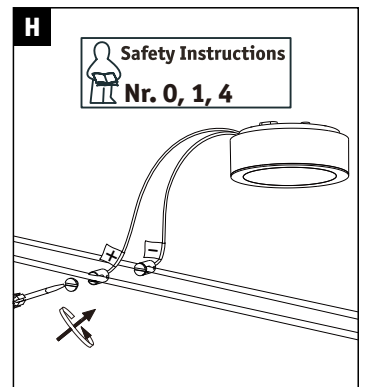
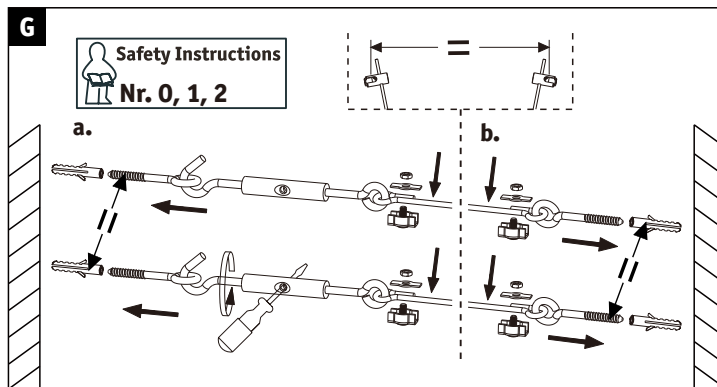
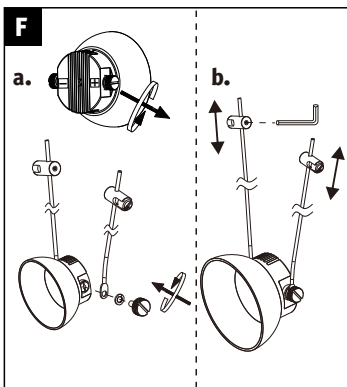
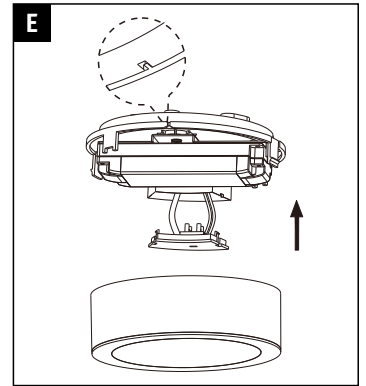
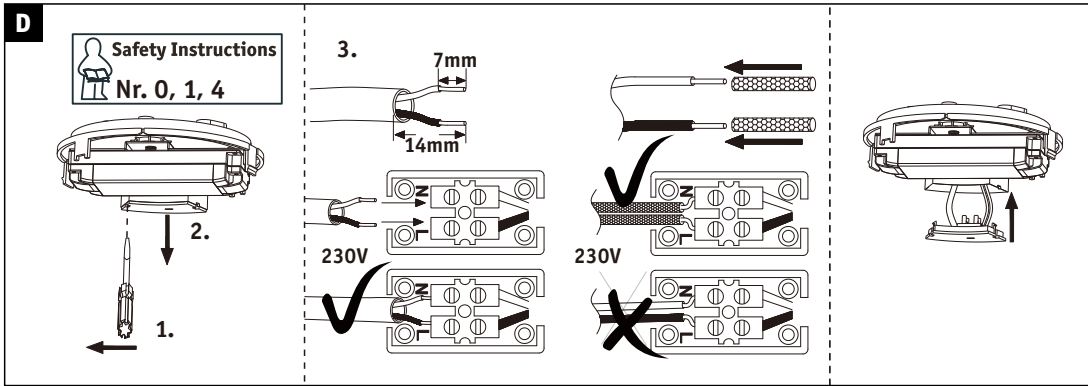
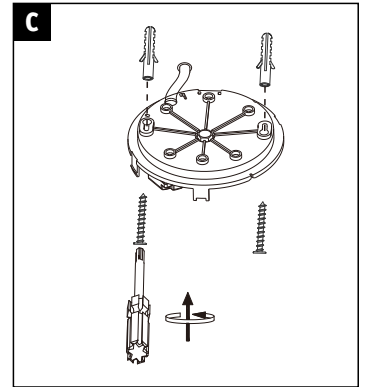
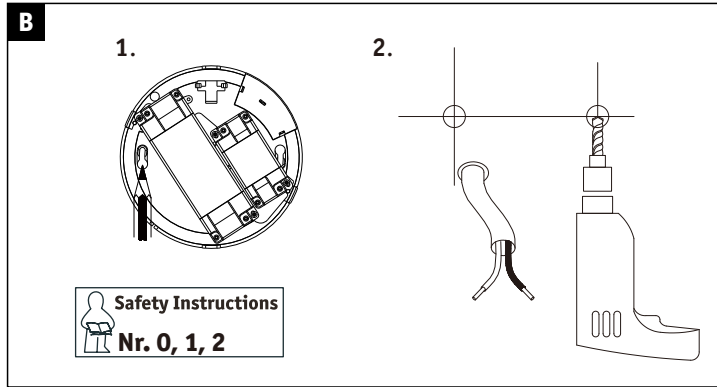
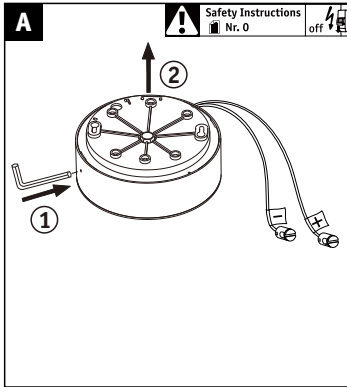
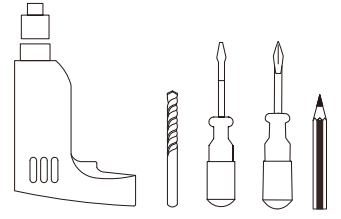
www.paulmann.com

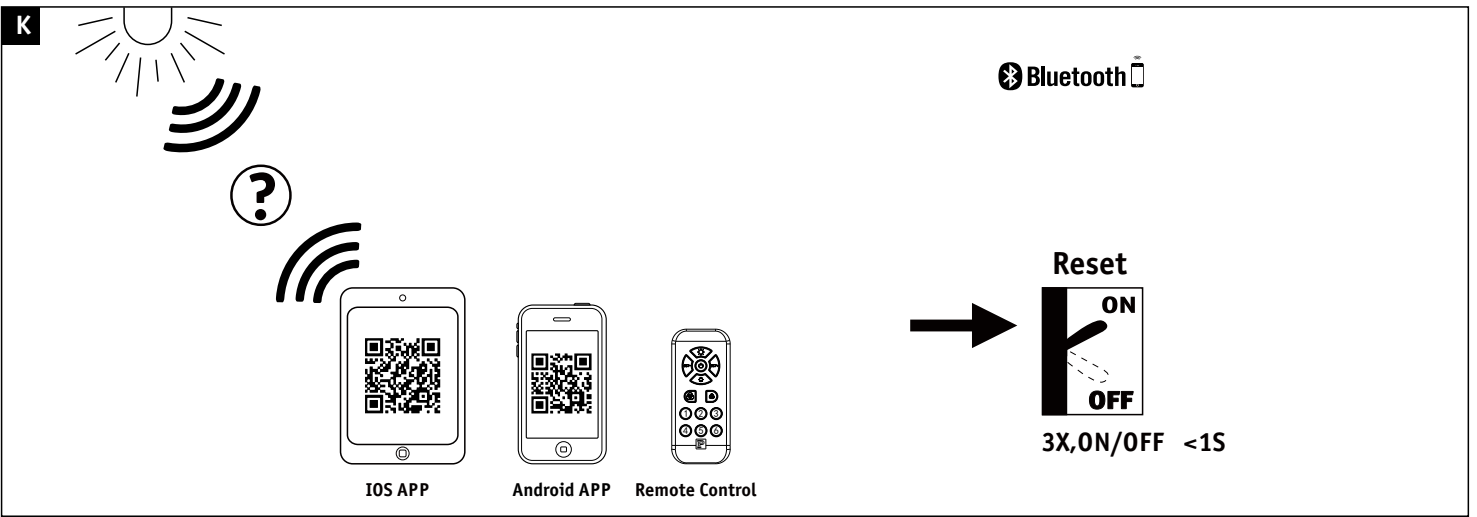
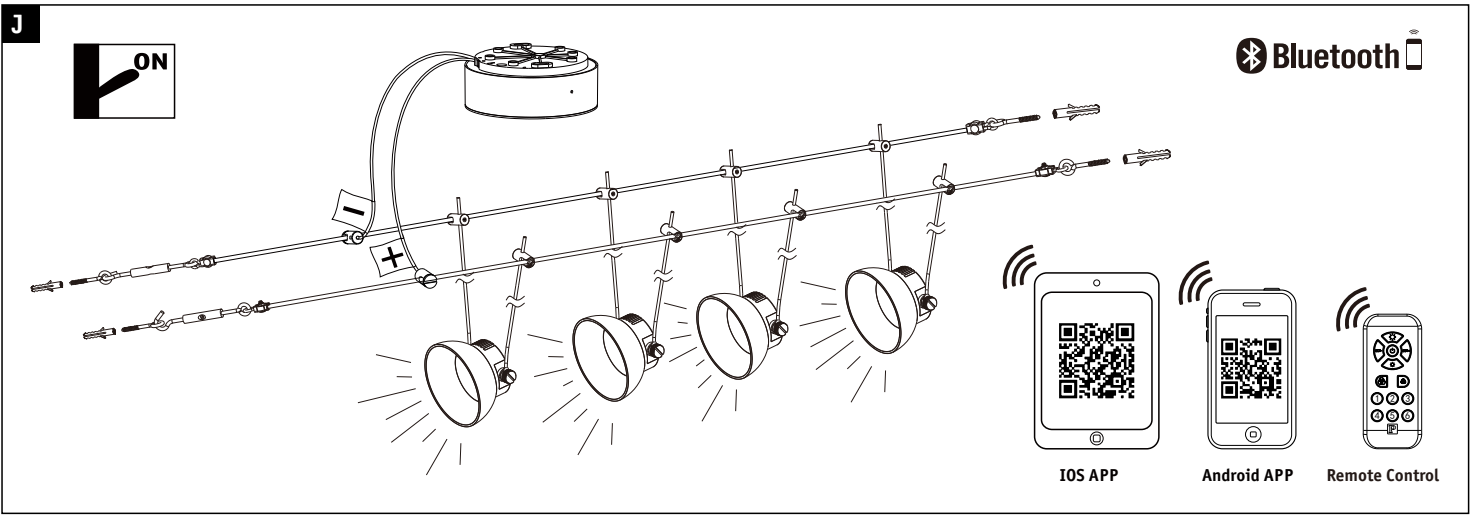
Art.-Nr.:  
500.16

(+MA 173)PKE 04/16



incl





**L**

Paulmann Home

IOS APP

Android APP

Not incl.

- iPad
- iPhone 4S Higher
- Android 4.4 Higher
- Bluetooth 4.0 Higher

Not incl. Remote Control

Paulmann  
Art.-Nr.500.01

