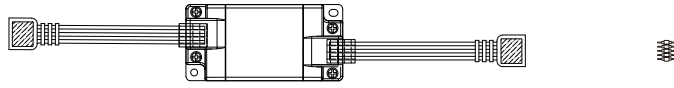


Art.-Nr. 

500.02

PKE 04/16

Only for MaxLED 500 and MaxLED 1000



1X

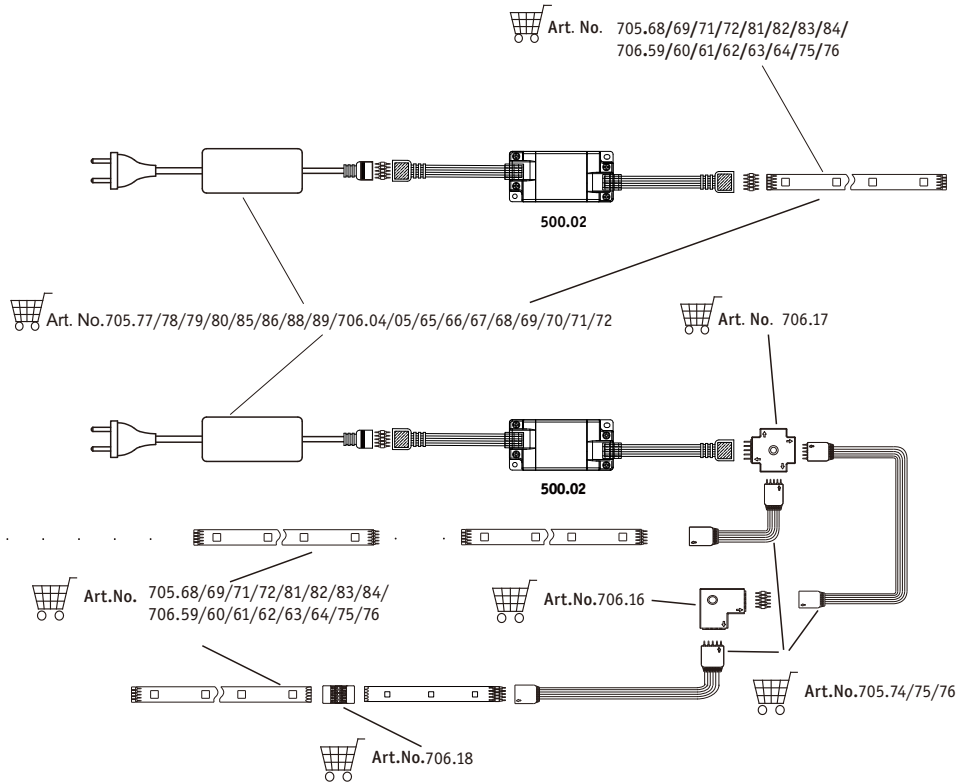
2X

- MaxLED 500/MaxLED 1000 ✓
- MaxLED Tunable White ✗
- MaxLED RGBW ✗

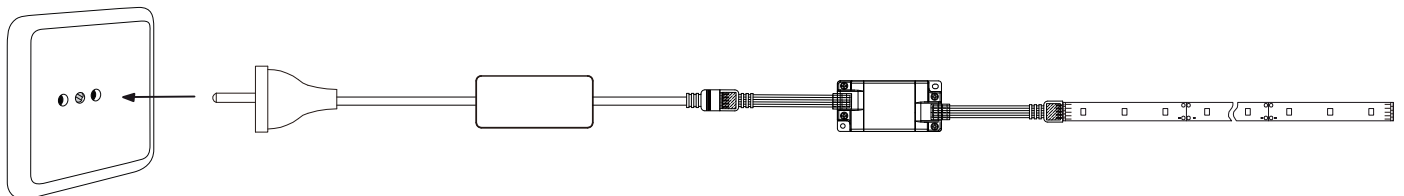


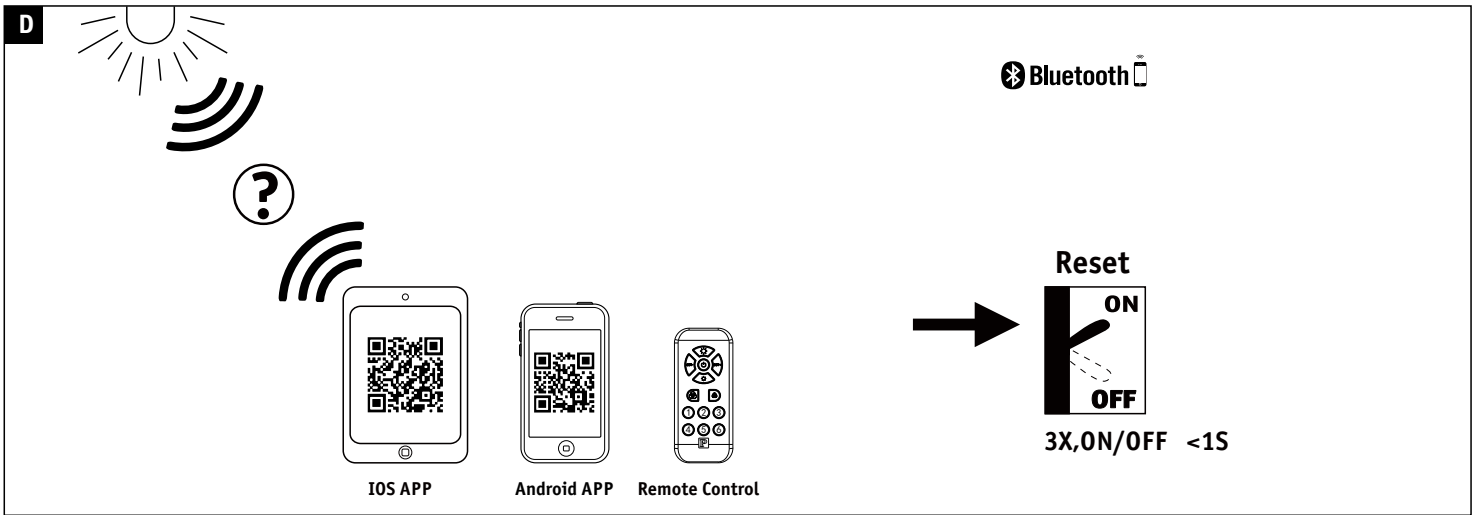
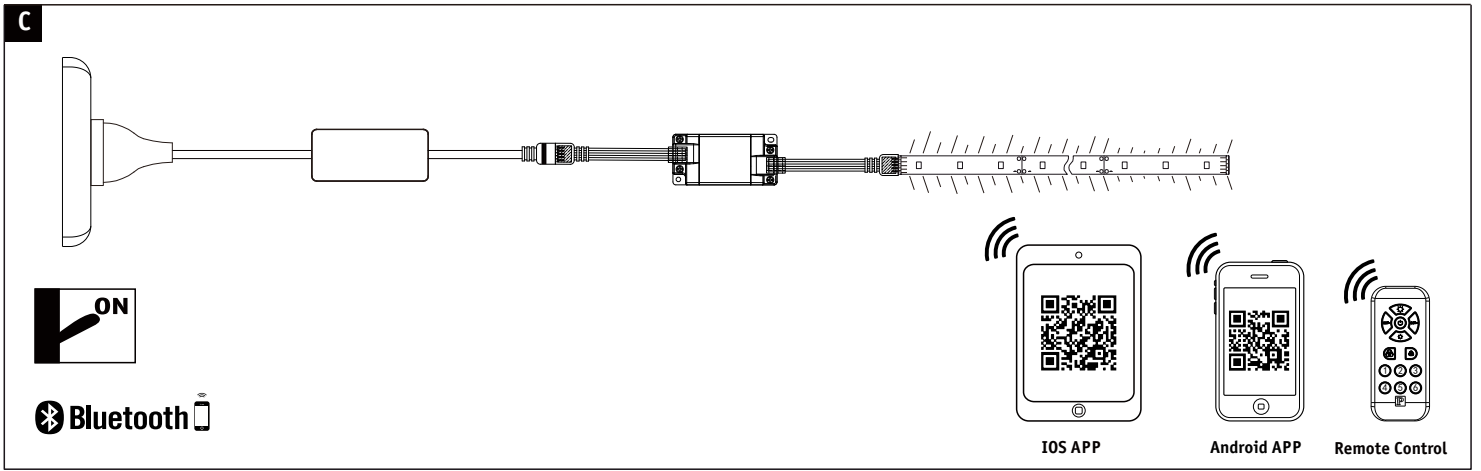
A

- MaxLED 500/MaxLED 1000 ✓
- MaxLED Tunable White ✗
- MaxLED RGBW ✗



B





E

Paulmann Home

IOS APP

Android APP

Not incl.

- iPad
- iPhone 4S Higher
- Android 4.4 Higher
- Bluetooth 4.0 Higher

Not incl. Remote Control

Paulmann Art.-Nr.500.01

