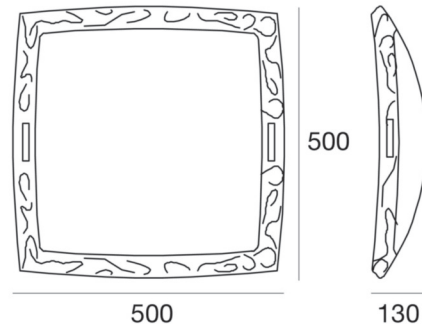




Ceiling Lights | 220-240 V | 2xE27
4482



Technical data	
Type	Surface
Installation position	Wall lights - Ceiling
Installation environment	Indoor
Lamp cap	2 x E27 Max 57W
Frequency	50-60 Hz
Optics	General Lighting
Light emission direction	frontal
Safety class	1
IP	IP20
Glow wire test	850°
Direct mounting on normally flammable surfaces	Yes
CE	Yes
ETL	No
Fire Rated (BS 476 PT21 compliant)	No
Induction	No
Emergency mode	No
Directional	No
Tilting	No
Walk-over	No
Drive-over	No
Cable included	No
Resin potting	No
Type of light emission	Double emission
Net weight	8.720 Kg

Finishing diffuser	
Material	Glass
Colour	transparent



Ceiling Lights | 220-240 V | 2xE27
4482

Double emission ceiling lights for indoor application. Compatibility: LED lamp, halogen 57 W, compact fluo 20 W; lamp cap 2xE27.

The diffuser is made of glass; the mounting frame is made of iron, with a white finish, processed by means of coating. The ingress protection degree is IP20; the total weight is of 8.720 kg.

The device features protection class I and can be wall lights or ceiling-mounted.

Illuminotechnical Features

Luminous flux (source)	1830 lm
Colour temperature	2800 K
Colour rendering index	100 Ra